

HDO2200

DLP™ Projector



Users Manual v1.0

Dg Series

Copyright

This publication, including all photographs, illustrations and software, is protected under international copyright laws, with all rights reserved. Neither this manual, nor any of the material contained herein, may be reproduced without written consent of the author.

© Copyright 2012

Disclaimer

The information in this document is subject to change without notice. The manufacturer makes no representations or warranties with respect to the contents hereof and specifically disclaims any implied warranties of merchantability or fitness for any particular purpose. The manufacturer reserves the right to revise this publication and to make changes from time to time in the content hereof without obligation of the manufacturer to notify any person of such revision or changes.

Trademark Recognition

Kensington is a U.S. registered trademark of ACCO Brand Corporation with issued registrations and pending applications in other countries throughout the world.

HDMI, the HDMI Logo, and High-Definition Multimedia Interface are trademarks or registered trademarks of HDMI Licensing LLC in the United States and other countries.

All other product names used in this manual are the properties of their respective owners and are acknowledged.

Important Safety Information

Important:

It is strongly recommended that you read this section carefully before using the projector. These safety and usage instructions will ensure that you enjoy many years of safe use of the projector. Keep this manual for future reference.

Symbols Used

Warning symbols are used on the unit and in this manual to alert you of hazardous situations.

The following styles are used in this manual to alert you to important information.

Note:

Provides additional information on the topic at hand.

Important:

Provides additional information that should not be overlooked.

Caution:

Alerts you to situations that may damage the unit.

Warning:

Alerts you to situations that may damage the unit, create a hazardous environment, or cause personal injury.

Throughout this manual, component parts and items in the OSD menus are denoted in bold font as in this example:

“Push the **MENU** button on the remote control to open the **DISPLAY** menu.”

General Safety Information

Do not open the unit case. Aside from the projection lamp, there are no user-serviceable parts in the unit. For servicing, contact qualified service personnel.

Follow all warnings and cautions in this manual and on the unit case.

The projection lamp is extremely bright by design. To avoid damage to eyes, do not look into the lens when the lamp is on.

Do not place the unit on an unstable surface, cart, or stand.

Avoid using the system near water, in direct sunlight, or near a heating device.

Do not place heavy objects such as books or bags on the unit.

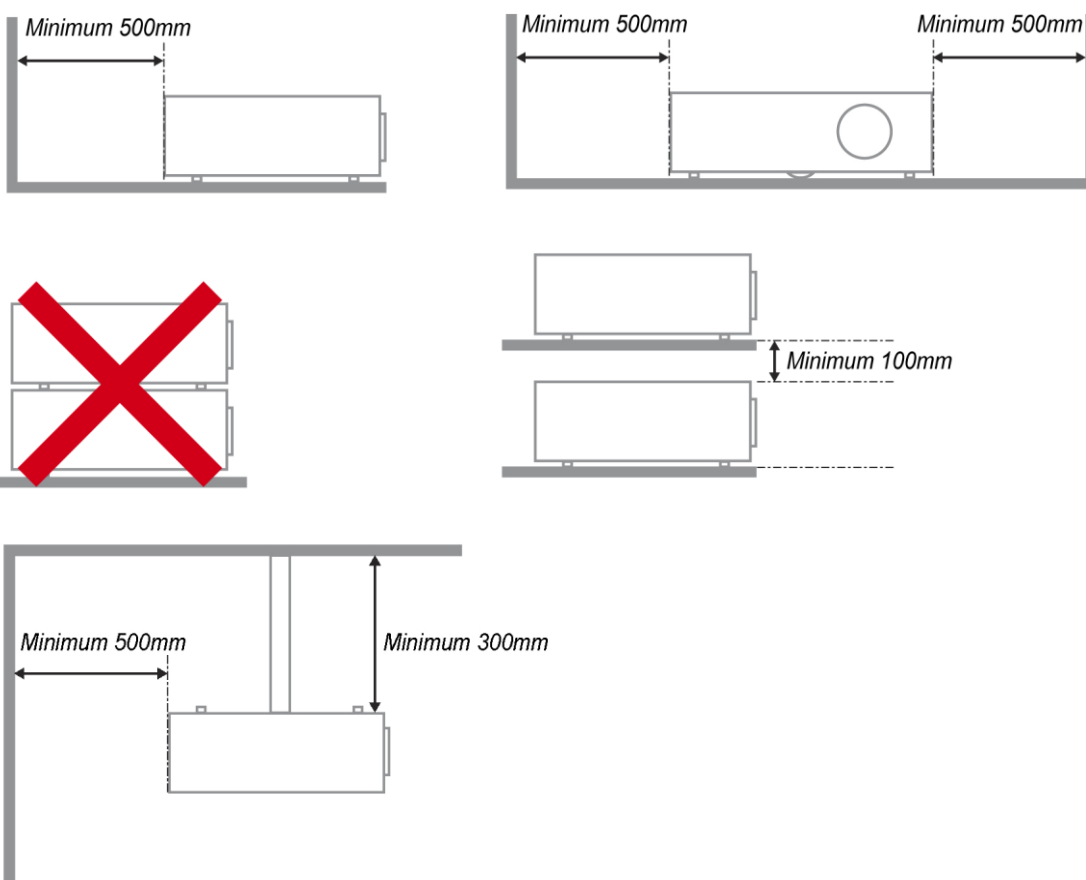
Projector Installation Notice

Place the projector in a horizontal position

The tilt angle of the projector should not exceed 15 degrees, nor should the projector be installed in any way other than the desktop and ceiling mount, otherwise lamp life could decrease dramatically.



Allow at least 50 cm clearance around the exhaust vent.



Ensure that the intake vents do not recycle hot air from the exhaust vent.

When operating the projector in an enclosed space, ensure that the surrounding air temperature within the enclosure does not exceed 5 – 35°C while the projector is running, and the air intake and exhaust vents are unobstructed.

All enclosures should pass a certified thermal evaluation to ensure that the projector does not recycle exhaust air, as this may cause the device to shutdown even if the enclosure temperature is within the acceptable 5 – 35°C range.

Power Safety

Only use the supplied power cord.

Do not place anything on the power cord. Place the power cord where it will not be in the way of foot traffic.

Remove the batteries from the remote control when storing or not in use for a prolonged period.

Replacing the Lamp

Replacing the lamp can be hazardous if done incorrectly. See *Replacing the Projection Lamp* on page 37 for clear and safe instructions for this procedure. Before replacing the lamp:

Unplug the power cord.

Allow the lamp to cool for about one hour.

Caution:

In rare cases the lamp bulb may burn out during normal operation and cause glass dust or shards to be discharged outward from the rear exhaust vent.

Do not inhale or do not touch glass dust or shards. Doing so could result in injury.

Always keep your face away from the exhaust vent so that you do not suffer from the gas and broken shards of the lamp.

Cleaning the Projector

Unplug the power cord before cleaning. See *Cleaning the Projector* on page 39.

Allow the lamp to cool for about one hour.

Regulatory Warnings

Before installing and using the projector, read the regulatory notices in the *Regulatory Compliance* section on page 51.

Important Recycle Instructions:



Lamp(s) inside this product contain mercury. This product may contain other electronic waste that can be hazardous if not disposed of properly. Recycle or dispose in accordance with local, state, or federal Laws. For more information, contact the Electronic Industries Alliance at WWW.EIAE.ORG. For lamp specific disposal information check WWW.LAMPRECYCLE.ORG.

Symbol Explanations



DISPOSAL: Do not use household or municipal waste collection services for disposal of electrical and electronic equipment. EU countries require the use of separate recycling collection services.

Table of Contents

GETTING STARTED	1
PACKING CHECKLIST	1
VIEWS OF PROJECTOR PARTS.....	2
<i>Front-right View</i>	2
<i>Top view—On-screen Display (OSD) buttons and LEDs</i>	3
<i>Rear view</i>	4
<i>Bottom view</i>	5
REMOTE CONTROL PARTS	6
REMOTE CONTROL OPERATING RANGE.....	8
PROJECTOR AND REMOTE CONTROL BUTTONS.....	8
SETUP AND OPERATION	9
INSERTING THE REMOTE CONTROL BATTERIES	9
CONNECTING INPUT DEVICES	10
STARTING AND SHUTTING DOWN THE PROJECTOR.....	11
ADJUSTING THE PROJECTOR LEVEL	13
ADJUSTING THE ZOOM RING, FOCUS AND KEYSTONE.....	14
ADJUSTING THE VOLUME	15
ON-SCREEN DISPLAY (OSD) MENU SETTINGS.....	16
OSD MENU CONTROLS	16
<i>Navigating the OSD</i>	16
SETTING THE OSD LANGUAGE.....	17
OSD MENU OVERVIEW	18
PICTURE>>>BASIC MENU.....	19
PICTURE>>>ADVANCED MENU	20
<i>HSG Adjustment</i>	21
DISPLAY MENU.....	22
<i>PC Detail Adjustment</i>	23
SETUP>>>BASIC MENU	24
<i>Menu Settings</i>	25
<i>Source</i>	25
<i>Lan Control Settings</i>	26
SETUP>>>ADVANCED MENU	32
<i>Audio</i>	33
<i>Lamp</i>	33
<i>HDMI</i>	34
<i>Closed Caption</i>	34
<i>Presentation Timer</i>	35
STATUS MENU	36
MAINTENANCE AND SECURITY.....	37
REPLACING THE PROJECTION LAMP.....	37
CLEANING THE PROJECTOR.....	39
<i>Cleaning the Lens</i>	39
<i>Cleaning the Case</i>	39
USING THE KENSINGTON® LOCK	40
TROUBLESHOOTING	41
COMMON PROBLEMS AND SOLUTIONS	41
TIPS FOR TROUBLESHOOTING	41
LED ERROR MESSAGES	42
IMAGE PROBLEMS.....	42
LAMP PROBLEMS	43
REMOTE CONTROL PROBLEMS	43
AUDIO PROBLEMS	44
HAVING THE PROJECTOR SERVICED	44
HDMI Q & A.....	45

SPECIFICATIONS..... 46

 SPECIFICATIONS..... 46

 PROJECTION DISTANCE VS. PROJECTION SIZE 47

Projection Distance and Size Table..... 47

 TIMING MODE TABLE 48

 PROJECTOR DIMENSIONS 50

REGULATORY COMPLIANCE 51

 FCC WARNING..... 51

 CANADA 51

 SAFETY CERTIFICATIONS 51

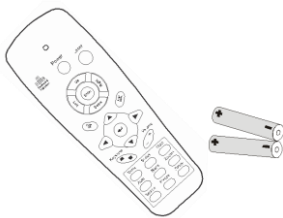
GETTING STARTED

Packing Checklist

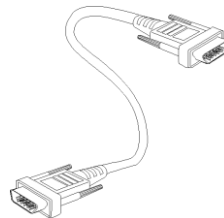
Carefully unpack the projector and check that the following items are included:



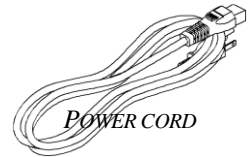
DLP PROJECTOR



*REMOTE CONTROL
(WITH TWO AAA BATTERIES)*

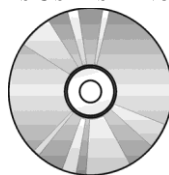


VGA CABLE



POWER CORD

*CD-ROM
(THIS USER'S MANUAL)*



WARRANTY CARD

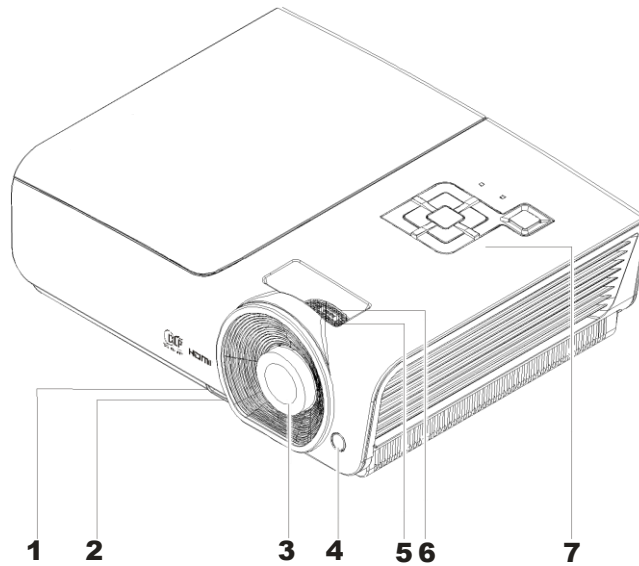


Contact your dealer immediately if any items are missing, appear damaged, or if the unit does not work. It is recommended that you keep the original packing material should you ever need to return the equipment for warranty service.

Caution:
Avoid using the projector in dusty environments.

Views of Projector Parts

Front-right View

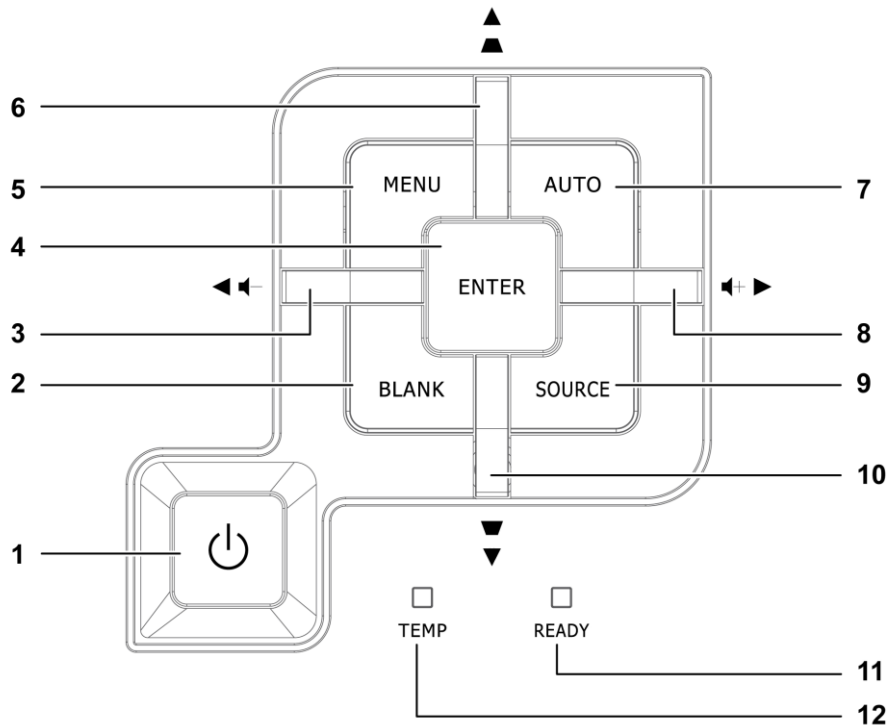


ITEM	LABEL	DESCRIPTION	SEE PAGE:
1.	Height-adjuster button	Push to release height adjuster	13
2.	Height adjuster	Adjusts level of projector	
3.	Lens	Projection Lens	
4.	IR receiver	Receive IR signal from remote control	6
5.	Focus ring	Focuses the projected image	14
6.	Zoom ring	Enlarges the projected image	
7.	Function keys	See Top view—On-screen Display (OSD) buttons and LEDs.	3

Important:

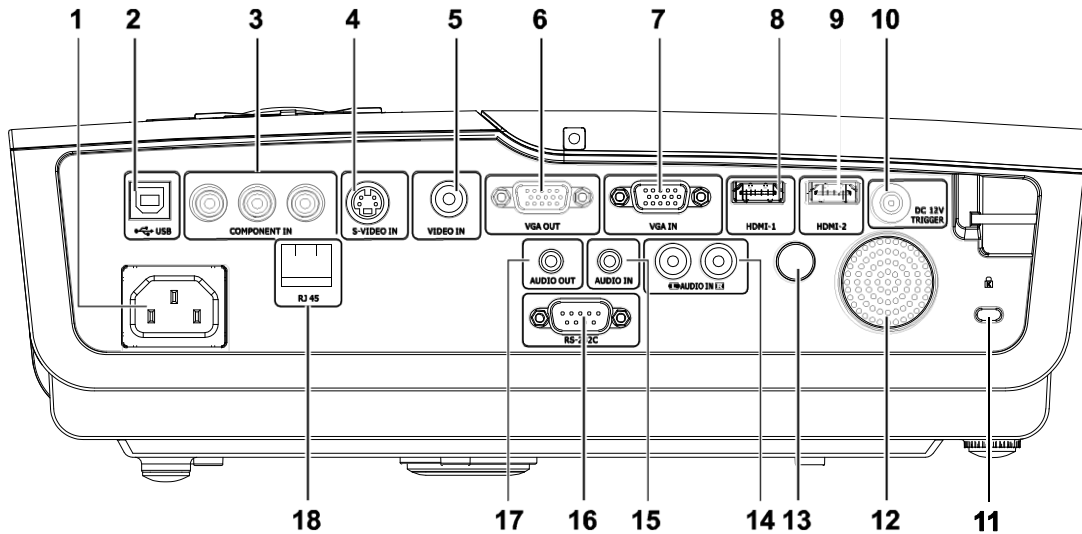
Ventilation openings on the projector allow for good air circulation, which keeps the projector lamp cool. Do not obstruct any of the ventilation openings.

Top view—On-screen Display (OSD) buttons and LEDs



ITEM	LABEL	DESCRIPTION	SEE PAGE:
1.	⏻(Power button)	Turns the projector On or Off.	11
2.	BLANK	Displays a blank screen and mutes audio	
3.	◀ (Left cursor) / Volume-	Navigates and changes settings in the OSD Quick Menu – For Volume	16
4.	Enter	Enter or confirm highlighted OSD menu item	
5.	MENU	Opens and exits OSD menus	
6.	▲ (Up cursor) / Keystone+	Navigates and changes settings in the OSD Quick Menu – For Keystone	
7.	AUTO	Optimizes image size, position, and resolution	
8.	▶ (Right cursor) / Volume+	Navigates and changes settings in the OSD Quick Menu – For Volume	16
9.	SOURCE	Enter the Source menu	10
10.	▼ (Down cursor) / Keystone-	Navigates and changes settings in the OSD Quick Menu – For Keystone	16
11.	READY LED	Red	Lamp is ready to be powered-on.
		Flashing	Lamp is not ready (warming up/shutting down/cooling) (see <i>LED Error Messages</i> on page 42)
12.	TEMP LED	Flashing	Error code

Rear view

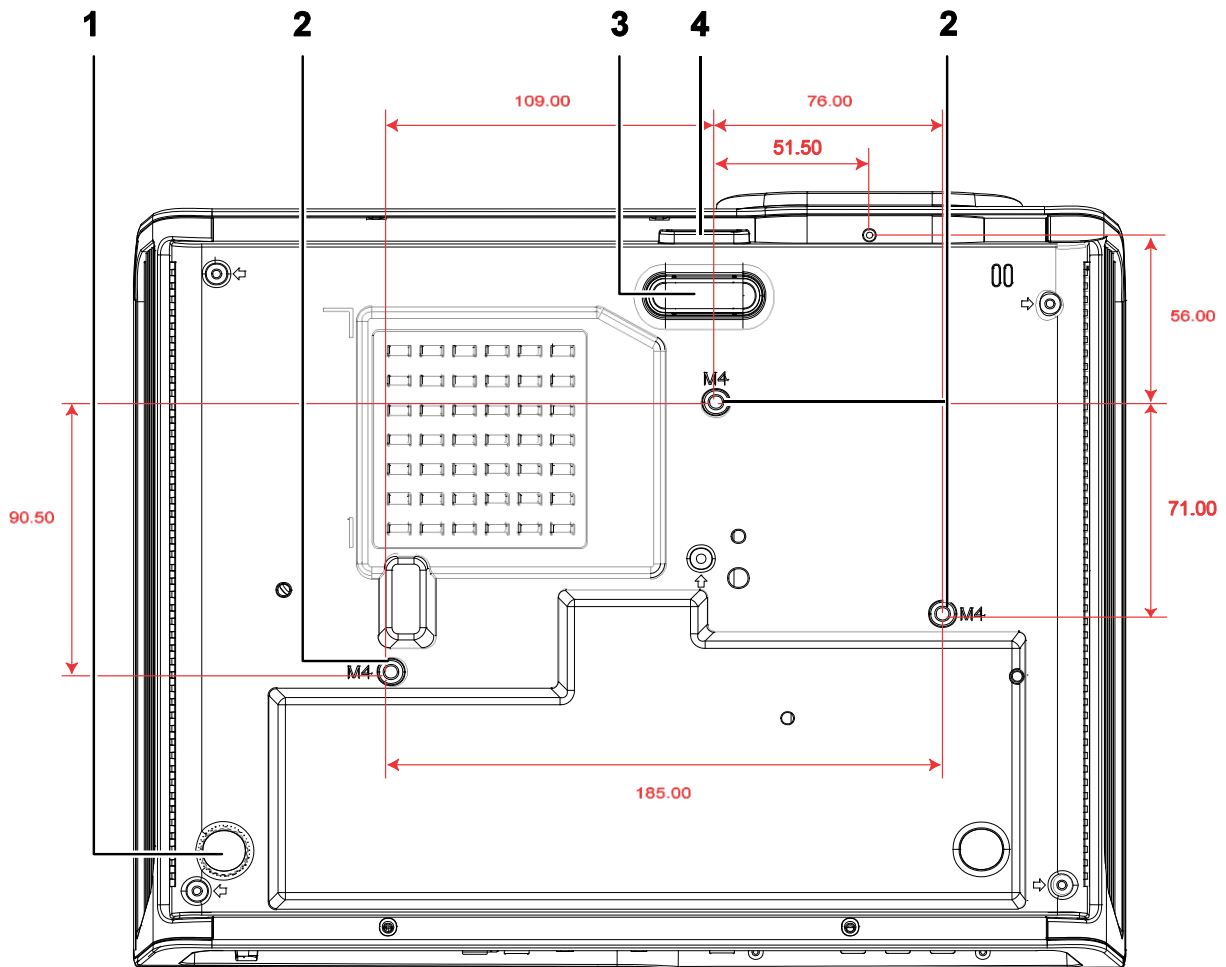


ITEM	LABEL	DESCRIPTION	SEE PAGE:
1.	AC IN	Connect the POWER CABLE	11
2.	USB	For servicing purpose only	10
3.	COMPONENT IN	Connect a component video enabled device	
4.	S-VIDEO IN	Connect the S-VIDEO CABLE from a video device	
5.	VIDEO IN	Connect the COMPOSITE CABLE from a video device	
6.	VGA OUT	Connect the RGB CABLE to a display	
7.	VGA IN	Connect the RGB CABLE from a computer	
8.	HDMI – 1	Connect the HDMI™ CABLE from a HDMI™ device	
9.	HDMI – 2	Connect the HDMI™ CABLE from a HDMI™ device	
10.	DC 12V TRIGGER	Connect the 12V OUT	
11.	Kensington Lock	Secure to permanent object with a Kensington® Lock system	
12.	Speaker	Outputs audio sound	10
13.	IR receiver	Receive IR signal from remote control	6
14.	AUDIO IN (L and R)	Connect the AUDIO CABLES from a audio device	10
15.	AUDIO IN	Connect an AUDIO CABLE from the input device	
16.	RS-232C	Connect RS-232 serial port cable for remote control	
17.	AUDIO OUT	Connect an AUDIO CABLE for audio loop through	
18.	RJ – 45	Connect a LAN CABLE from Ethernet	

Note:

If your video equipment has various input sources, it is recommended to connect in priority of HDMI™, component, S-Video, Composite for better picture quality.

Bottom view



ITEM	LABEL	DESCRIPTION	SEE PAGE:
1.	Tilt adjustor	Rotate adjuster lever to adjust angle position.	13
2.	Ceiling support holes	Contact your dealer for information on mounting the projector on a ceiling	
3.	Height adjustor	Adjuster drops down when adjuster button is pushed.	13
4.	Height adjustor button	Push to release adjustor.	

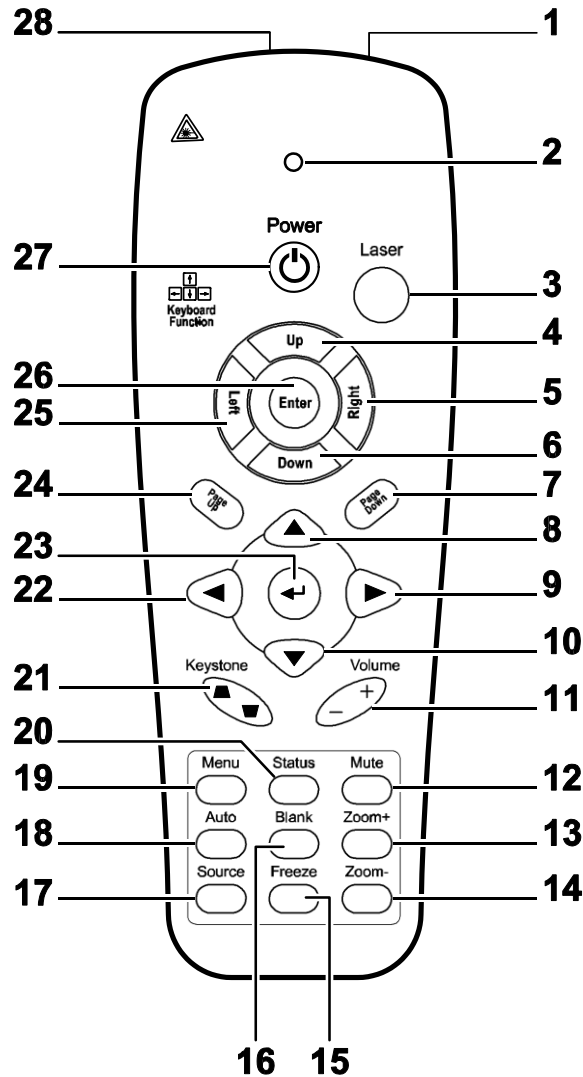
Note:

When installing, ensure that you use only UL Listed ceiling mounts.

For ceiling installations, use approved mounting hardware and M4 screws with a maximum screw depth of 6 mm (0.23 inch).

The construction of the ceiling mount must be of a suitable shape and strength. The ceiling mount load capacity must exceed the weight of the installed equipment, and as an additional precaution be capable of withstanding three times the weight of the equipment (not less than 5.15 kg) over a period of 60 seconds.

Remote Control Parts



Important:

1. Avoid using the projector with bright fluorescent lighting turned on. Certain high-frequency fluorescent lights can disrupt remote control operation.

2. Be sure nothing obstructs the path between the remote control and the projector. If the path between the remote control and the projector is obstructed, you can bounce the signal off certain reflective surfaces such as projector screens.

3. The buttons and keys on the projector have the same functions as the corresponding buttons on the remote control. This user's manual describes the functions based on the remote control.

ITEM	LABEL	DESCRIPTION	SEE PAGE:
1.	IR transmitter	Transmits signals to projector	
2.	Status LED	Lights when the remote control is used	
3.	Laser	Press to operate the on-screen pointer	
4.	Up	Up arrow when connected through USB to a PC (Not available in this series)	
5.	Right	Right arrow when connected through USB to a PC (Not available in this series)	
6.	Down	Down arrow when connected through USB to a PC (Not available in this series)	
7.	Page Down	Page down when connected through USB to a PC (Not available in this series)	
8.	Up cursor	Navigates and changes settings in the OSD	16
9.	Right cursor		
10.	Down cursor		
11.	Volume +/-	Adjusts volume	15
12.	Mute	Mutes the built-in speaker	
13.	Zoom+	Zoom in	
14.	Zoom-	Zoom out	
15.	Freeze	Freeze/unfreezes the on-screen picture	
16.	Blank	Makes the screen blank	
17.	Source	Detects the input device	
18.	Auto	Auto adjustment for phase, tracking, size, position	
19.	Menu	Opens the OSD	16
20.	Status	Opens the OSD Status menu (the menu only opens when an input device is detected)	36
21.	Keystone top/bottom	Corrects image-trapezoid (wider top/bottom) effect	14
22.	Left cursor	Navigates and changes settings in the OSD	16
23.	Enter	Changes settings in the OSD	
24.	Page Up	Page up when connected through USB to a PC (Not available in this series)	
25.	Left	Left arrow when connected through USB to a PC (Not available in this series)	
26.	Enter	Enter key when connected through USB to a PC (Not available in this series)	
27.	Power	Turns the projector on or off	11
28.	Laser	Use as on-screen pointer. DO NOT POINT IN EYES.	

Remote Control Operating Range

The remote control uses infrared transmission to control the projector. It is not necessary to point the remote directly at the projector. Provided you are not holding the remote perpendicular to the sides or the rear of the projector, the remote will function well within a radius of about 7 meters (23 feet) and 15 degrees above or below the projector level. If the projector does not respond to the remote control, move a little closer.

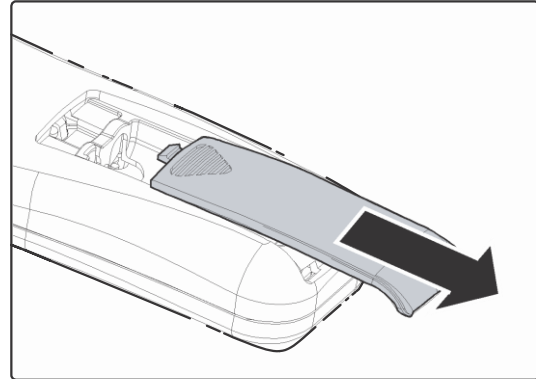
Projector and Remote Control Buttons

The projector can be operated using the remote control or the buttons on the top of the projector. All operations can be carried out with the remote control; however, the buttons on the projector are limited in use.

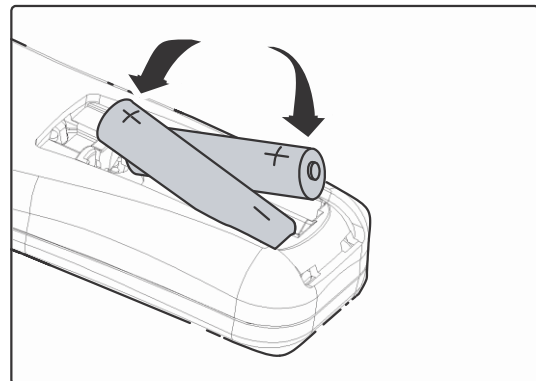
SETUP AND OPERATION

Inserting the Remote Control Batteries

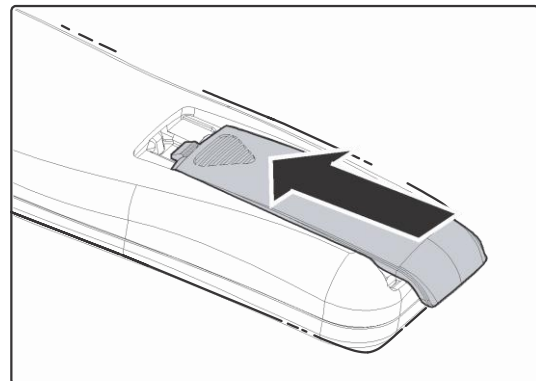
1. Remove the battery compartment cover by sliding the cover in the direction of the arrow.



2. Insert the battery with the positive side facing up.



3. Replace the cover.

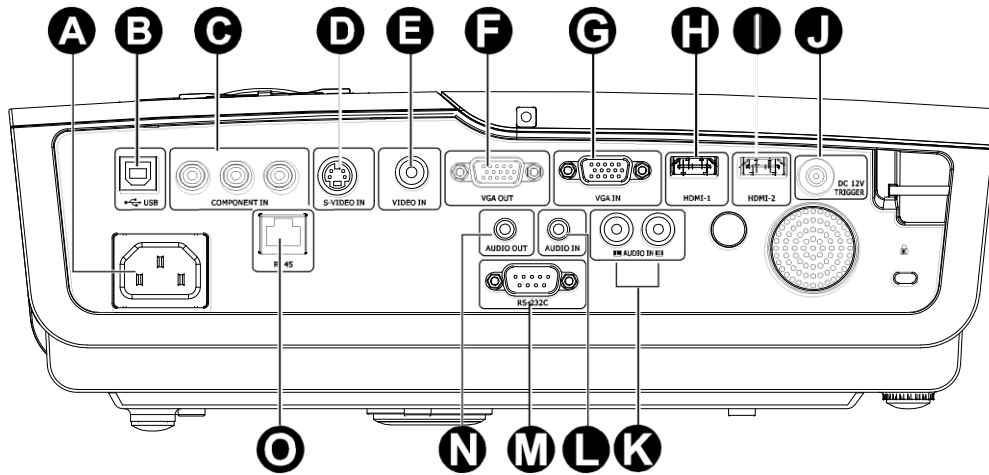



Caution:

1. Only use AAA batteries (Alkaline batteries are recommended).
2. Dispose of used batteries according to local ordinance regulations.
3. Remove the batteries when not using the projector for prolonged periods.

Connecting Input Devices

A PC or notebook computer and video devices can be connected to the projector at the same time. Video devices include DVD, VCD, and VHS players, as well as movie camcorders and digital still cameras. Check the user manual of the connecting device to confirm it has the appropriate output connector.




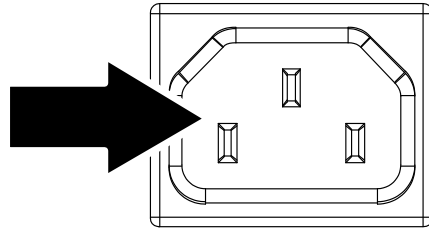
ITEM	LABEL	DESCRIPTION
A	AC IN	Connect the POWER CABLE
B	 (USB)	For servicing purpose only
C	COMPONENT IN	Connect a component video enabled device
D	S-VIDEO IN	Connect the S-VIDEO CABLE from a video device
E	VIDEO IN	Connect the COMPOSITE CABLE from a video device
F	VGA OUT	Connect the RGB CABLE to a display
G	VGA IN	Connect the RGB CABLE from a computer
H	HDMI – 1	Connect the HDMI™ CABLE from a HDMI™ device
I	HDMI – 2	Connect the HDMI™ CABLE from a HDMI™ device
J	DC 12V TRIGGER	Connect the 12V OUT
K	AUDIO IN (L and R)	Connect the AUDIO CABLES from a audio device
L	AUDIO IN	Connect an AUDIO CABLE from the input device
M	RS-232C	Connect RS-232 serial port cable for remote control
N	AUDIO OUT	Connect an AUDIO CABLE for audio loop through
O	RJ – 45	Connect a LAN CABLE from Ethernet



Warning:

As a safety precaution, disconnect all power to the projector and connecting devices before making connections.


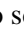
Starting and Shutting down the Projector

1. Connect the power cord to the projector.
Connect the other end to a wall outlet.
The  **POWER** LED will be on.





2. Turn on the connected devices.
3. Ensure the  **POWER** LED displays a solid blue and not a flashing blue. Then press the  **POWER** button to turn on the projector.

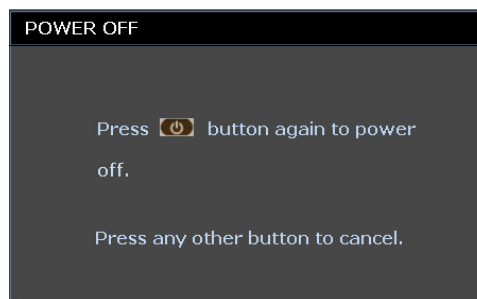
The projector splash screen displays and connected devices are detected.

4. If more than one input device is connected, press the **SOURCE** button and use   to scroll among devices.



- PC: Analog RGB
- HDMI 1/2: High Definition Multimedia Interface
- Component: DVD input YCbCr / YPbPr.
- S-Video: Super video (Y/C separated)
- Video: Traditional composite video

5. When the POWER OFF window appears, press  on the control panel or  on the remote control. The projector turns off.



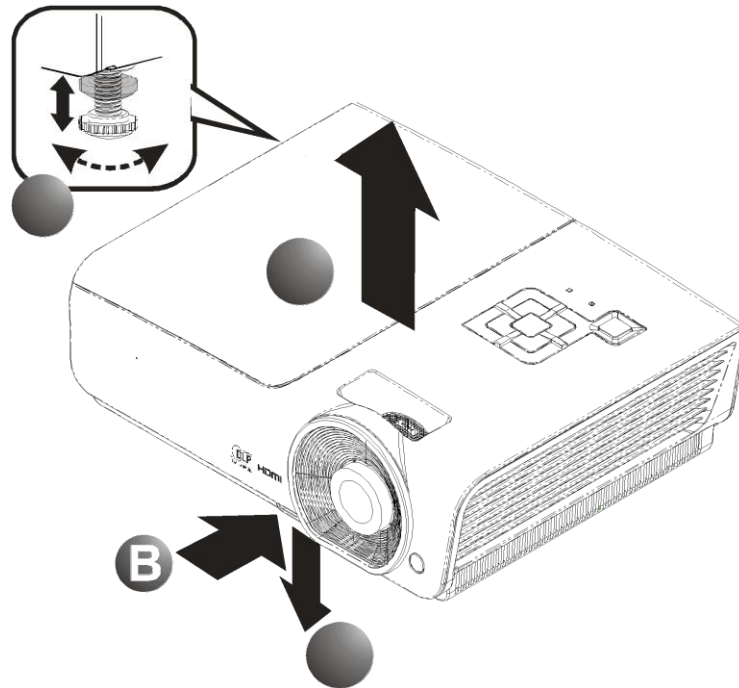
Caution:

Do not unplug the power cord until the READY LED stops flashing—indicating the projector has cooled down.

Adjusting the Projector Level

Take note of the following when setting up the projector:

- *The projector table or stand should be level and sturdy.*
- *Position the projector so that it is perpendicular to the screen.*
- *Remove the Back Foot Holder on the rear adjuster foot before adjusting the projection angle.*
- *Ensure the cables are in a safe location. You could trip over them.*



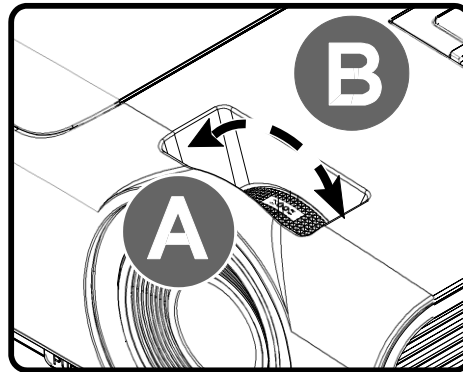
1. To raise the level of the projector, lift the projector [A] and press the height-adjuster button [B].

The height adjuster drops down [C].

2. To lower the level of the projector, press the height-adjuster button and push down on the top of the projector.
3. To adjust the angle of the picture, turn the tilt-adjuster [D] right or left until the desired angle has been achieved.

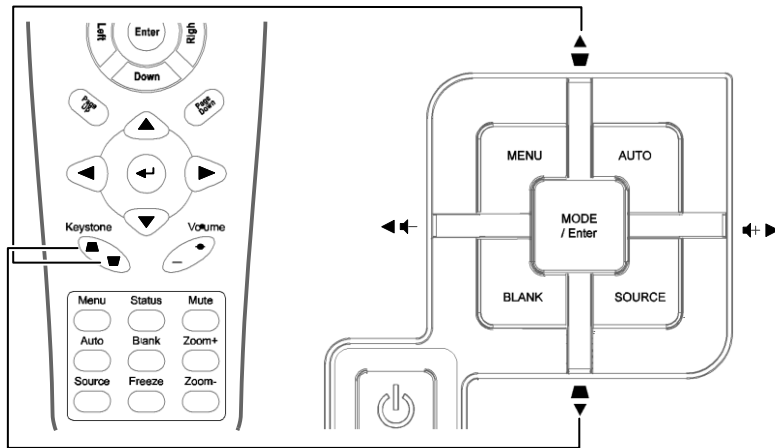
Adjusting the Zoom ring, Focus and Keystone

1. Use the **Image-zoom** control (on the projector only) to resize the projected image and screen size ●.



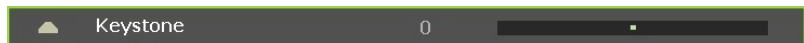
2. Use the **Image-focus** control (on the projector only) to sharpen the projected image ●.

3. Use the **KEYSTONE** buttons (on the projector or the remote control) to correct image-trapezoid (wider top or bottom) effect.



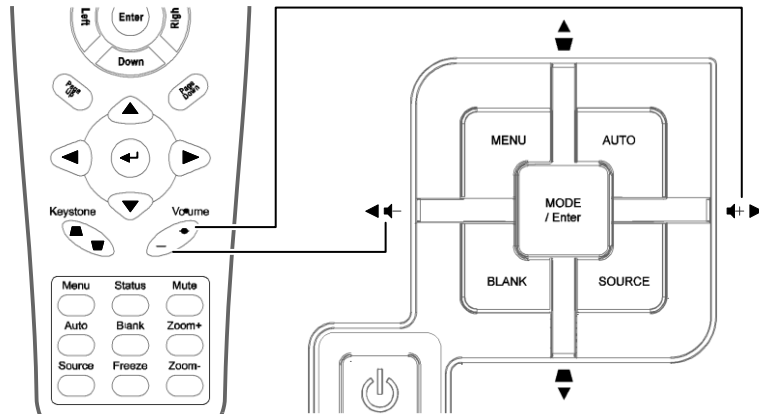
Remote control and OSD panel

4. The keystone control appears on the display.



Adjusting the Volume

1. Press the **Volume +/-** buttons on the remote control. The volume control appears on the display.



2. Press the **Left** or **Right Cursor** buttons on the keypad to adjust **Volume +/-**.



3. Press the **MUTE** button to turn off the volume (This feature is available only on the remote).



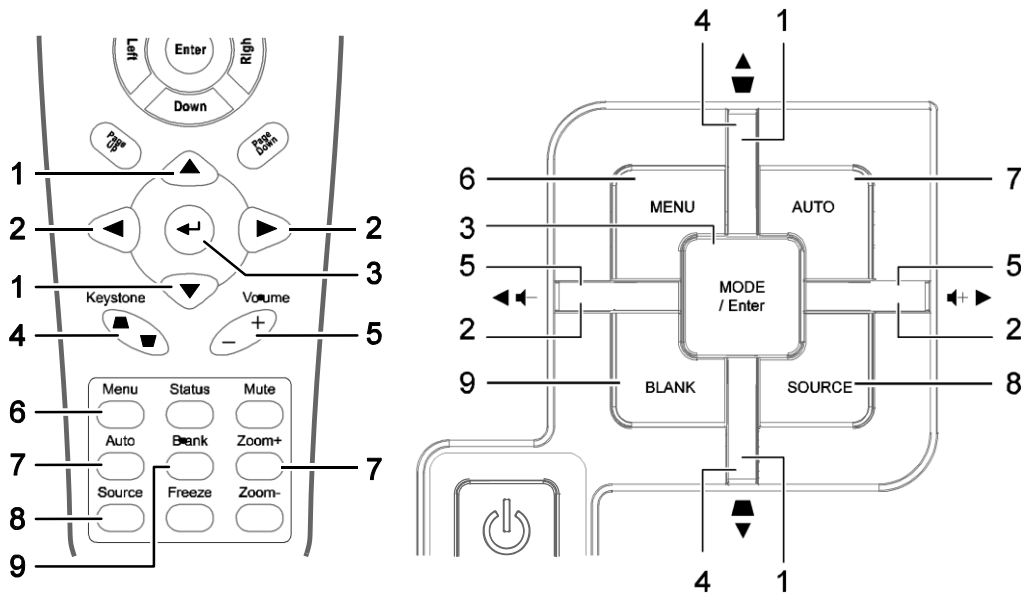
ON-SCREEN DISPLAY (OSD) MENU SETTINGS

OSD Menu Controls

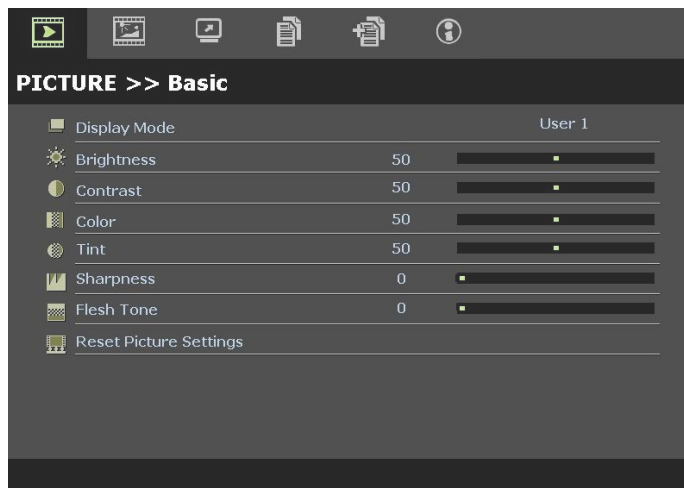
The projector has an OSD that lets you make image adjustments and change various settings.

Navigating the OSD

You can use the remote control cursor buttons or the buttons on the top of the projector to navigate and make changes to the OSD. The following illustration shows the corresponding buttons on the projector.



1. To enter the OSD, press the **MENU** button.
2. There are six menus. Press the cursor ◀▶ button to move through the menus.
3. Press the cursor ▲▼ button to move up and down in a menu.
4. Press ◀▶ to change values for settings.
5. Press **MENU** to close the OSD or leave a sub menu.



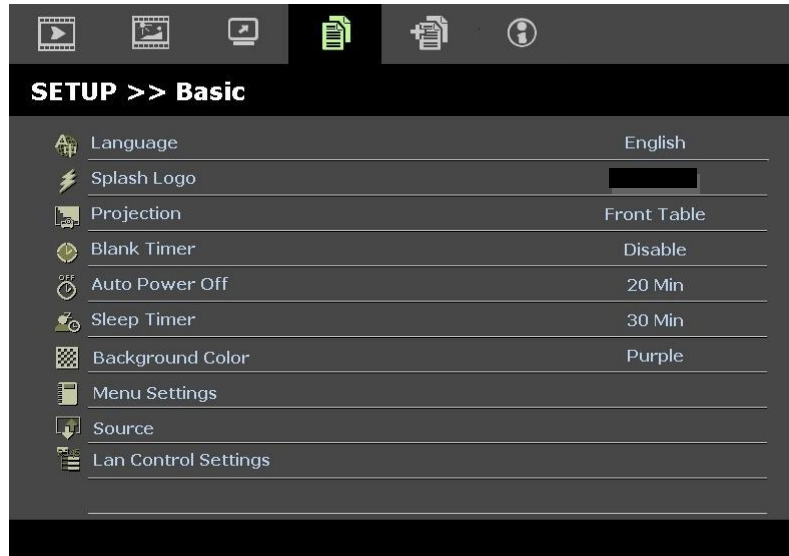
Note:

Depending on the video source, not all items in the OSD are available. For example, the **PC Detail Adjustment** item in the PICTURE>>Basic menu can only be modified when connected to a PC. Items that are not available cannot be accessed and are grayed out.

Setting the OSD Language

Set the OSD language to your preference before continuing.

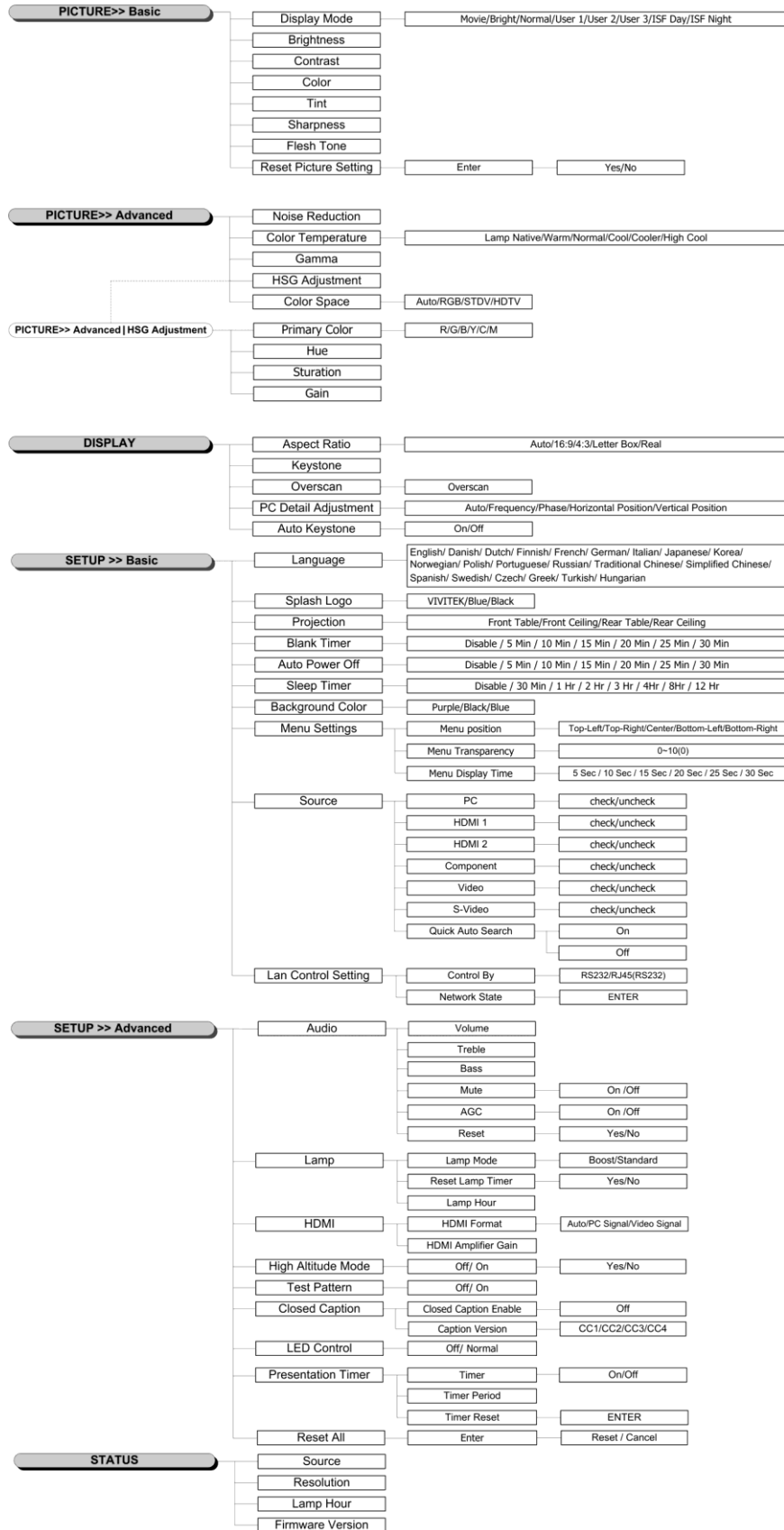
1. Press the **MENU** button. Press the cursor ◀▶ button to navigate to **SETUP>>Basic**.



2. Press the cursor ▲▼ button until **Language** is highlighted.
3. Press the cursor ◀▶ button until the language you want is selected.
4. Press the **MENU** button to close the OSD.

OSD Menu Overview

Use the following illustration to quickly find a setting or determine the range for a setting.

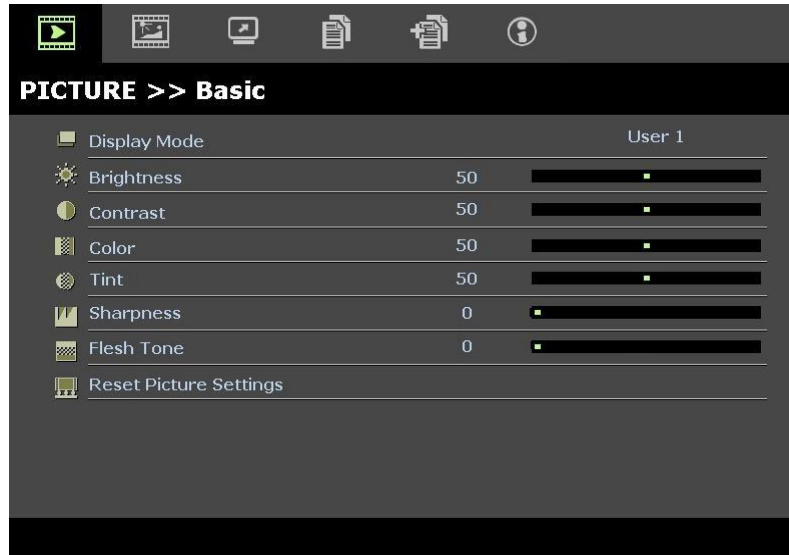


PICTURE>>Basic Menu

Press the **MENU** button to open the **OSD** menu. Press the cursor **◀▶** button to move to the **PICTURE>>Basic** menu. Press the cursor **▲▼** button to move up and down in the **PICTURE>>Basic** menu. Press **◀▶** to change values for settings.

Note:

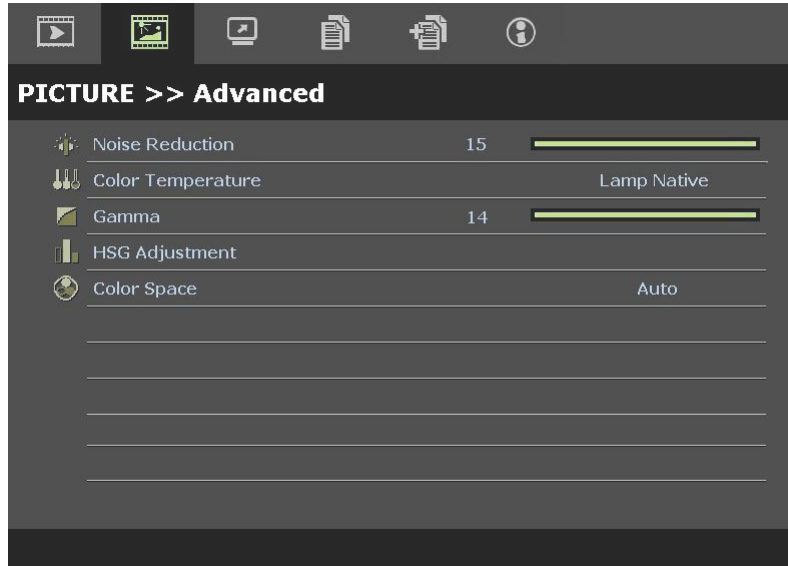
Customizing the settings in **PICTURE>>Basic** menu is only available in User 1/ 2/ 3 mode.



ITEM	DESCRIPTION
Display Mode	Press the cursor ◀▶ buttons to set the Display Mode. (Range: Movie/ Bright/ Normal/ User 1/ User 2/ User 3) Notes: ISF Day/ISF Night is available when ISF Mode is on.
Brightness	Press the cursor ◀▶ buttons to adjust the display brightness.
Contrast	Press the cursor ◀▶ buttons to adjust the display contrast.
Color	Press the cursor ◀▶ buttons to adjust the video saturation. Notes: This function is only available when Component, Video or S-Video input source is selected.
Tint	Press the cursor ◀▶ buttons to adjust the video tint/hue. Notes: This function is only available when Component, Video or S-Video with NTSC system input source is selected.
Sharpness	Press the cursor ◀▶ buttons to adjust the display sharpness. Notes: This function is only available when Component, Video or S-Video input source is selected.
Flesh Tone	Press the cursor ◀▶ buttons to adjust the display flesh tone. Notes: This function is only available when Component, Video or S-Video input source is selected.
Reset Picture Settings	Press the ENTER button to reset all settings to default values.

PICTURE>>Advanced Menu

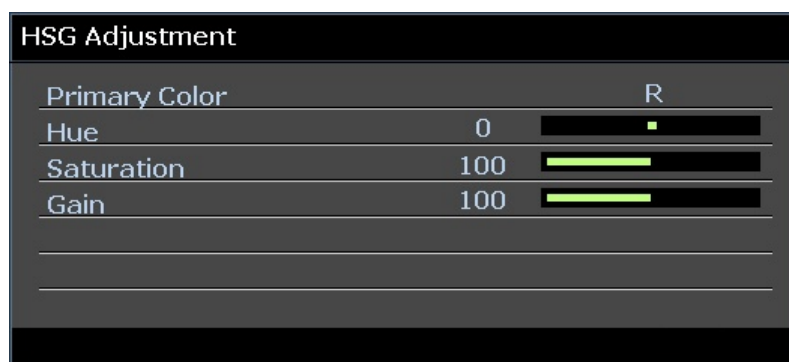
Press the **MENU** button to open the **OSD** menu. Press the cursor **◀▶** button to move to the **PICTURE>>Advanced** menu. Press the cursor **▲▼** button to move up and down in the **PICTURE>>Advanced** menu. Press **◀▶** to change values for settings.



ITEM	DESCRIPTION
Noise Reduction	Press the cursor ◀▶ button to adjust the Noise Reduction.
Color Temperature	Press the cursor ◀▶ button to set the Color Temperature.
Gamma	Press the cursor ◀▶ button to adjust the gamma correction of the display. Notes: This function is only available in User 1/ 2/ 3 mode.
HSG Adjustment	Press the ENTER button to enter the HSG Adjustment sub menu. See <i>HSG Adjustment</i> on page 21.
Color Space	Press the cursor ◀▶ button to set the Color Space. (Range: Auto / RGB/ SDTV/ HDTV) Notes: This function is only available when HDMI™ input source is selected.

HSG Adjustment

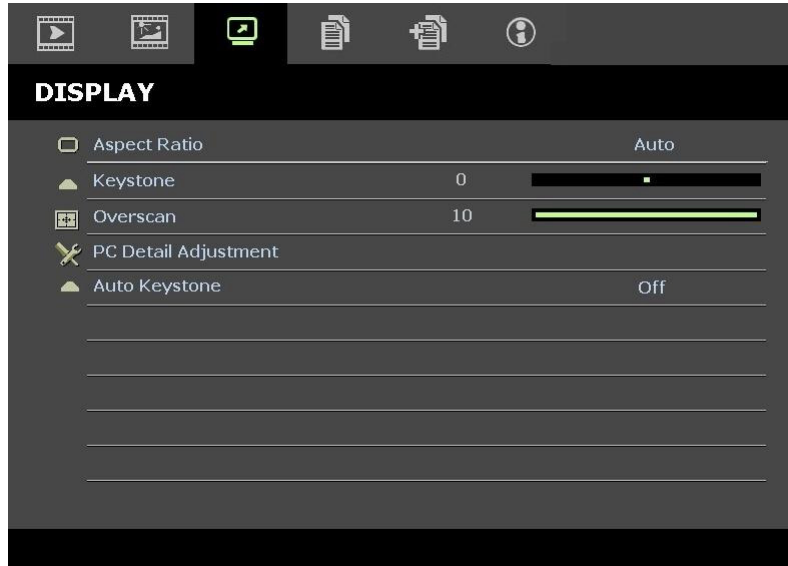
Press the **ENTER** button to enter the **HSG Adjustment** sub menu.



ITEM	DESCRIPTION
Primary Color	Press the ◀▶ buttons to set the Primary Color. Notes: There are six sets (R/ G/ B/ C/ M/ Y) of colors to be customized.
Hue	Press the ◀▶ buttons to adjust the Hue.
Saturation	Press the ◀▶ buttons to adjust the Saturation.
Gain	Press the ◀▶ buttons to adjust the Gain.

DISPLAY Menu

Press the **MENU** button to open the **OSD** menu. Press the cursor ◀▶ button to move to the **DISPLAY** menu. Press the cursor ▲▼ button to move up and down in the **DISPLAY** menu. Press ◀▶ to change values for settings.



ITEM	DESCRIPTION
Aspect Ratio	Press the cursor ◀▶ button to set the Aspect Ratio. (Range: Auto / 16:9/ 4:3/ Letter Box/ Real)
Keystone	Press the cursor ◀▶ button to adjust the Keystone. Notes: This function is available when the Auto keystone function is turned off.
Overscan	Press the cursor ◀▶ button to adjust the Overscan.
PC Detail Adjustment	Press the ENTER button to enter the PC Detail Adjustment sub menu. See <i>PC Detail Adjustment</i> on page 23.
Auto Keystone	Press the cursor ◀▶ button to turn on or off the Auto Keystone. Notes: When Auto Keystone is on, the projector will automatically adjust the Keystone.

PC Detail Adjustment

Press the **ENTER** button to enter the **PC Detail Adjustment** sub menu.

Note:

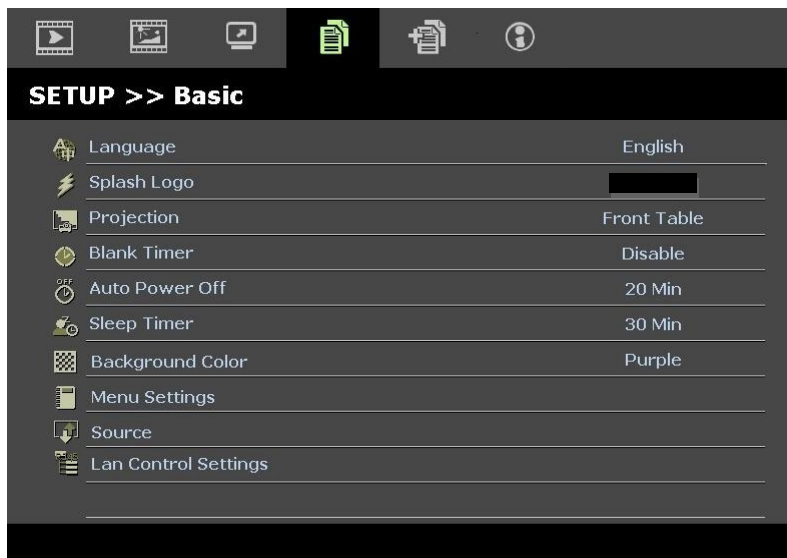
Customizing the settings in **PC Detail Adjustment** menu is only available when PC input source (analog RGB) is selected.



ITEM	DESCRIPTION
Auto	Press the ENTER/AUTO button on the control panel or the ENTER/AUTO button on the remote control to automatically adjust frequency, phase, and position.
Frequency	Press the ◀▶ buttons to adjust the A/D sampling number.
Phase	Press the ◀▶ buttons to adjust the A/D sampling clock.
Horizontal Position	Press the ◀▶ buttons to adjust the display position right or left.
Vertical Position	Press the ◀▶ buttons to adjust the display position up or down.

SETUP>>Basic Menu

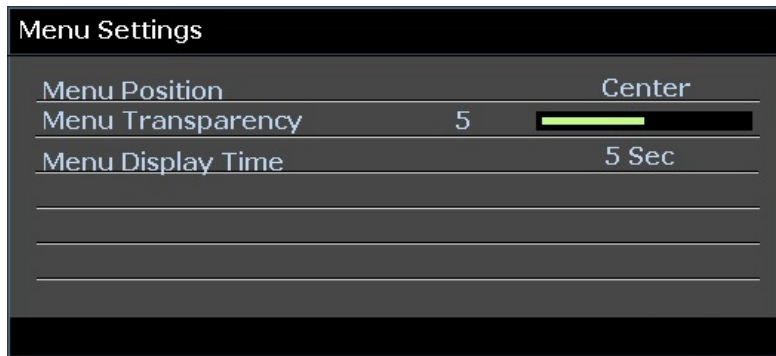
Press the **MENU** button to open the **OSD** menu. Press the cursor **◀▶** button to move to the **SETUP>>Basic** menu. Press the cursor **▲▼** button to move up and down in the **SETUP>>Basic** menu. Press **◀▶** to change values for settings.



ITEM	DESCRIPTION
Language	Press the cursor ◀▶ buttons to select a different localization menu. (Range: English/ Danish/ Dutch/ Finnish/ French/ German/ Italian/ Japanese/ Korea/Norwegian/ Polish/ Portuguese/ Russian/ Traditional Chinese/ Simplified Chinese/ Spanish/ Swedish)
Splash Logo	Press the cursor ◀▶ buttons to select a different startup screen. (Range: Knoll/ Blue/ Black)
Projection	Press the cursor ◀▶ buttons to choose from four projection methods: Front Table/ Front Ceiling/ Rear Table/ Rear Ceiling.
Blank Timer	Press the cursor ◀▶ buttons to set the Blank Screen timer. The projected image is automatically restored after the set time. (Range: Disable/ 5 min/ 10 min/ 15 min/ 20 min/ 25 min/ 30 min)
Auto Power Off	Press the cursor ◀▶ buttons to set the Auto Power Off timer. The projector automatically turns off if no input source is detected after the preset period of time. (Range: Disable/ 5 min/ 10 min/ 15 min/ 20 min/ 25 min/ 30 min)
Sleep Timer	Press the cursor ◀▶ buttons to set Sleep timer. The projector automatically turns off after the preset period of time. (Range: Disable/ 30 min/ 1hr/ 2hr/ 3hr/ 4hr/ 8hr/ 12hr)
Background Color	Press the cursor ◀▶ buttons to select the background color when no input source is detected. (Range: Purple/ Black/ Blue)
Menu Settings	Press the ENTER button to enter the Menu Settings sub menu. See <i>Menu Settings</i> on page 25.
Source	Press the ENTER button to enter the Source sub menu. See <i>Source</i> on page 25.
Lan Control Settings	Press the ENTER button to enter the Lan Control Settings sub menu. See <i>Lan Control Settings</i> on page 26.

Menu Settings

Press the **ENTER** button to enter the **Menu Settings** sub menu.



ITEM	DESCRIPTION
Menu Position	Press the ◀▶ buttons to select from five OSD locations: Top-Left/ Top-Right/ Center / Bottom-Left/ Bottom-Right.
Menu Transparency	Press the ◀▶ buttons to set the OSD transparency. (Range: 0 ~ 10)
Menu Display Time	Press the ◀▶ buttons to set the Menu Display timer before the OSD times out. (Range: 5sec/ 10sec/ 15sec / 20sec/ 25sec/ 30sec)

Source

Press the **ENTER** button to enter the **Source** sub menu.



ITEM	DESCRIPTION
PC	Press the ◀▶ buttons to enable or disable the PC source.
HDMI 1	Press the ◀▶ buttons to enable or disable the HDMI source.
HDMI 2	
Component	Press the ◀▶ buttons to enable or disable the Component source.
Video	Press the ◀▶ buttons to enable or disable the Video source.
S-Video	Press the ◀▶ buttons to enable or disable the S-Video source.
Quick Auto Search	Press the ◀▶ buttons to enable or disable Quick Auto Search for available input source. Notes: When the desired source is selected, the Quick Auto Search function will be turn off.

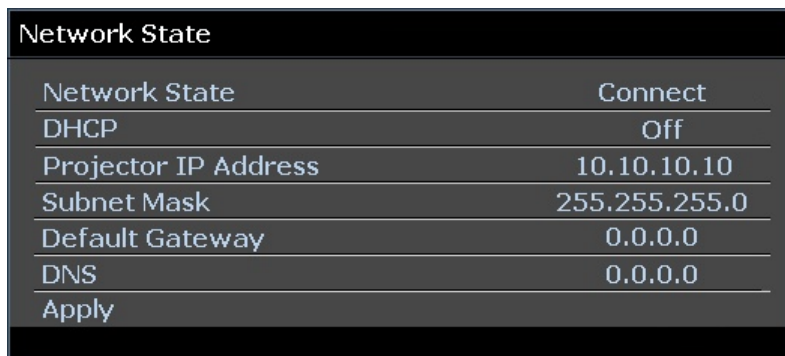
Lan Control Settings

Press the **ENTER** button to enter the **Lan Control Settings** sub menu.



ITEM	DESCRIPTION
Control By	Press the ◀▶ buttons to select projector remote command control. (Range: RS232 / RJ45)
Network State	Press the ENTER button to enter the Network State sub menu. See <i>Network State</i> on page 26.

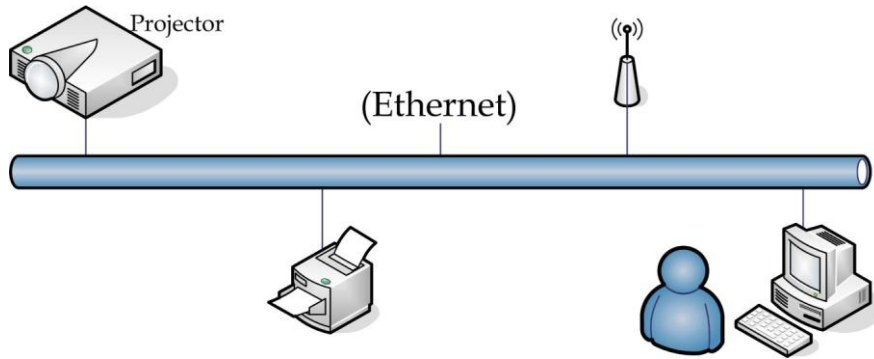
Network State



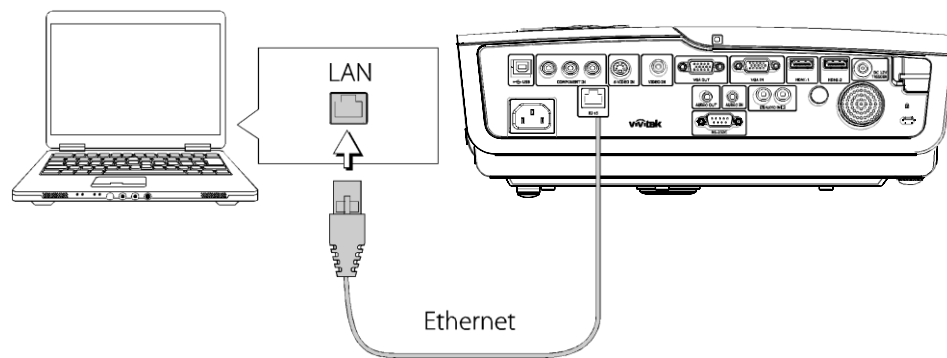
ITEM	DESCRIPTION
Network State	Displays the network connection status.
DHCP	Press ◀▶ to turn DHCP On or Off. Note: If you select DHCP Off, complete the IP Address, Subnet Mask, Gateway, and DNS fields.
Projector IP Address	Enter a valid IP address if DHCP is turned off.
Subnet Mask	Enter a valid Subnet Mask if DHCP is turned off.
Default Gateway	Displays the default Gateway address on the network.
DNS	Enter a valid DNS name if DHCP is turned off.
Apply	Press ◀(Enter) / ▶ to confirm settings.

For simplicity and ease of operation, the projector provides diverse networking and remote management features.

The LAN/RJ45 function of the projector through a network, such as remotely manage: Power On/Off, Brightness and Contrast settings. Also, projector status information, such as: Video-Source, Sound-Mute, etc.



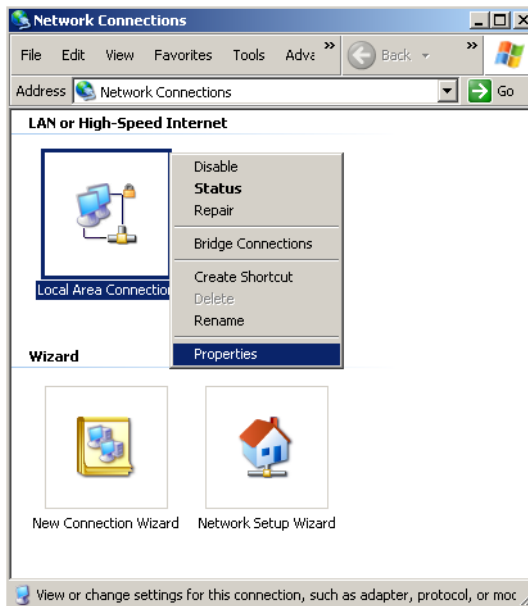
1. Connect an RJ45 cable to RJ45 ports on the projector and the PC (Laptop).



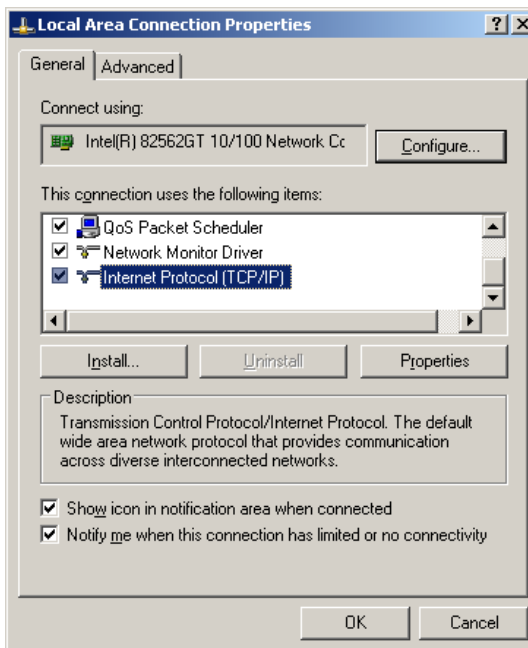
2. On the PC (Laptop), select **Start** - **Control Panel** - **Network Connections**.



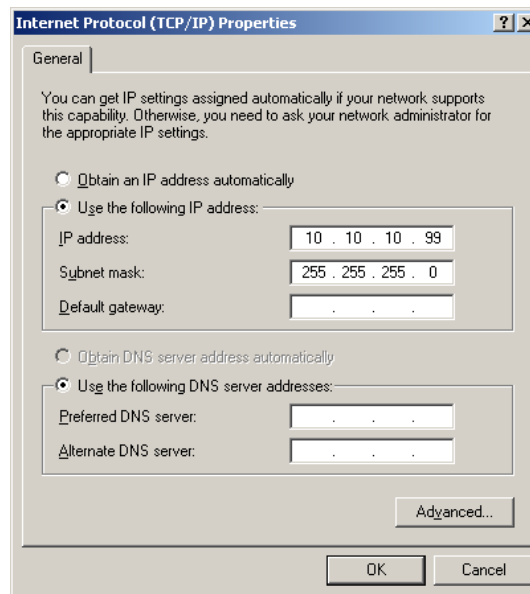
3. Right-click on **Local Area Connection**, and select **Properties**.



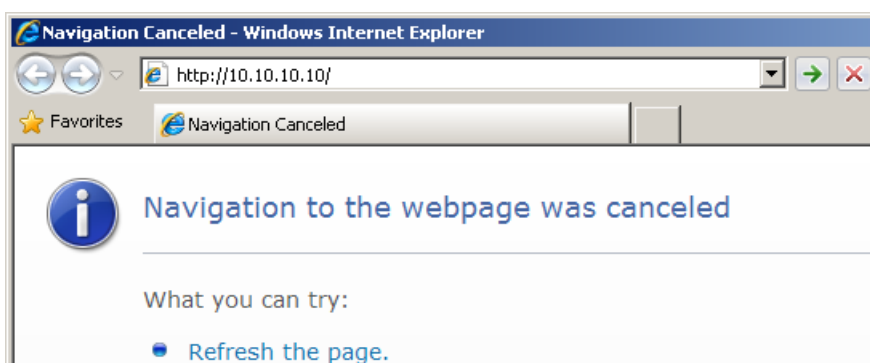
4. In the **Properties** window, select the **General** tab, and select **Internet Protocol (TCP/IP)**.
5. Click **Properties**.



- Click **Use the following IP address** and fill in the IP address and Subnet mask, then click **OK**.



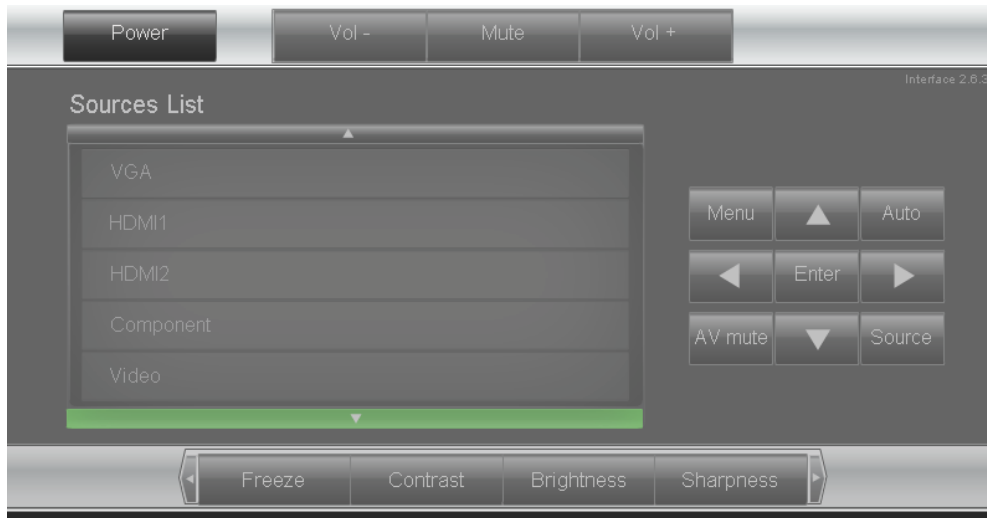
- Press the **Menu** button on the projector.
- Select **OSD** \leftarrow **SETUP** \leftarrow **Network** \leftarrow **Enabled**.
- After getting into **Network**, input the following:
 - ~ DHCP: Off
 - ~ IP Address: 10. 10. 10. 10
 - ~ Subnet Mask: 255.255.255.0
 - ~ Gateway: 0.0.0.0
 - ~ DNS Server: 0.0.0.0
- Press \leftarrow (Enter) / \rightarrow to confirm settings.
- Open a web browser (for example, Microsoft Internet Explorer with Adobe Flash Player 9.0 or higher).



- In the Address bar, input the IP address: 10. 10. 10. 10.

13. Press **↵** (Enter) / **▶**.

The projector is setup for remote management. The LAN/RJ45 function displays as follows.



Expansion Options

Based on network web-page for the input-string in **tools** tab, the limitation for Input-Length is in the below list (“space” and the other punctuation key included):

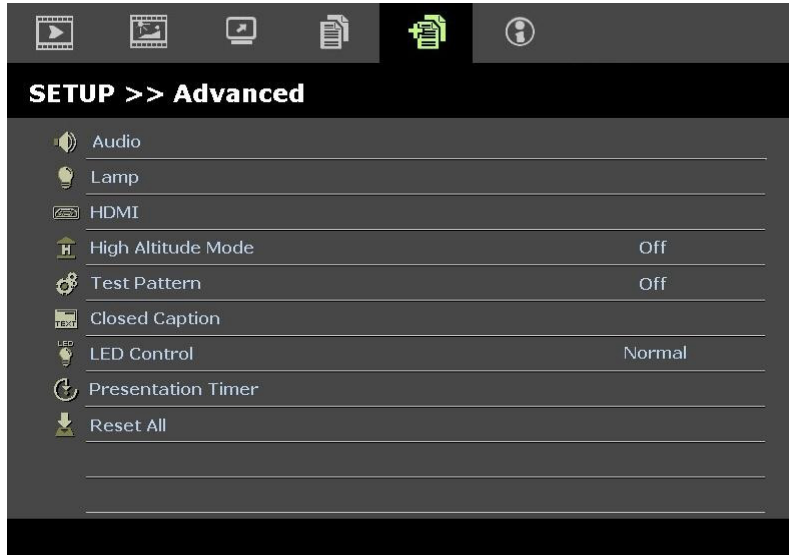
CATEGORY	ITEM	INPUT-LENGTH
Crestron Control	IP Address	15
	IP ID	2
	Port	5
Projector	Projector Name	10
	Location	9
	Assigned To	8
Network Configuration	DHCP (Enabled)	(N/A)
	IP Address	15
	Subnet Mask	15
	Default Gateway	15
User Password	DNS Server	15
	Enabled	(N/A)
	New Password	15
Admin Password	Confirm	15
	Enabled	(N/A)
	New Password	15
	Confirm	15

Crestron Control	Projector	User Password
IP Address <input type="text" value="192.168.0.20"/>	Projector Name <input type="text" value="A01"/>	<input type="checkbox"/> Enabled
IP ID <input type="text" value="03"/>	Location <input type="text" value="Room"/>	New Password <input type="text"/>
Port <input type="text" value="41794"/>	Assigned To <input type="text" value="Sir."/>	Confirm <input type="text"/>
<input type="button" value="Send"/>	<input type="button" value="Send"/>	<input type="button" value="Send"/>
	DHCP <input type="checkbox"/> Enabled	Admin Password
	IP Address <input type="text" value="10.10.10.10"/>	<input type="checkbox"/> Enabled
	Subnet Mask <input type="text" value="255.255.255.0"/>	New Password <input type="text"/>
	Default Gateway <input type="text" value="0.0.0.0"/>	Confirm <input type="text"/>
	DNS Server <input type="text" value="0.0.0.0"/>	<input type="button" value="Send"/>
	<input type="button" value="Send"/>	
<input type="button" value="Exit"/>		

For more information, please visit <http://www.crestron.com/>.

SETUP>>Advanced Menu

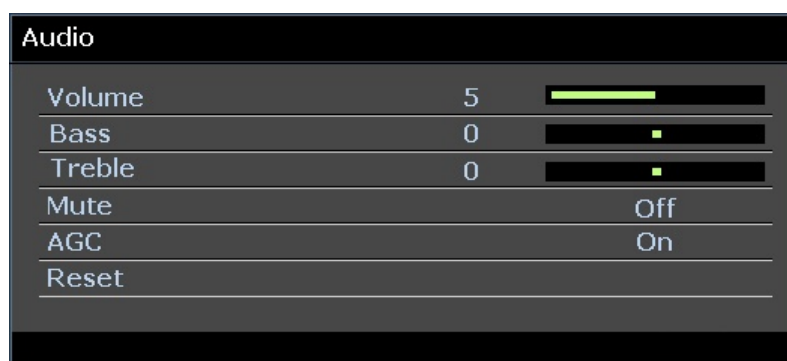
Press the **MENU** button to open the **OSD** menu. Press the cursor ◀▶ button to move to the **SETUP>>Advanced** menu. Press the cursor ▲▼ button to move up and down in the **SETUP>>Advanced** menu.



ITEM	DESCRIPTION
Audio	Press the ENTER button to enter the Audio sub menu. See <i>Audio</i> on page 33.
Lamp	Press the ENTER button to enter the Lamp sub menu. See <i>Lamp</i> on page 33.
HDMI	Press the ENTER button to enter the HDMI sub menu. See <i>HDMI</i> on page 34.
High Altitude Mode	Press the cursor ◀▶ buttons to turn on or off High Altitude Mode when the altitude of the environment is higher than 1500m, or the temperature is over 40°C.
Test Pattern	Press the cursor ◀▶ buttons to turn on or off the grid test pattern.
Closed Caption	Press the ENTER button to enter the Closed Caption sub menu. See <i>Closed Caption</i> on page 34.
LED Control	Press the cursor ◀▶ buttons to select the LED control. Select Normal for normal LED display and Off to disable LED display.
Presentation Timer	Press ◀(Enter) / ▶ to the Presentation Timer menu. See <i>Presentation Timer</i> on page 35.
Reset All	Press the ENTER button to enter reset all settings to default values.

Audio

Press the **ENTER** button to enter the **Audio** sub menu.



ITEM	DESCRIPTION
Volume	Press the ◀▶ buttons to adjust the audio Volume.
Bass	Press the ◀▶ buttons to adjust the audio Bass.
Treble	Press the ◀▶ buttons to adjust the audio Treble.
Mute	Press the ◀▶ buttons to turn on or off the speaker.
AGC	Press the ◀▶ buttons to turn on or off the AGC setting.
Reset	Press the ENTER button to reset all settings to default values.

Lamp

Press the **ENTER** button to enter the **Lamp** sub menu.



ITEM	DESCRIPTION
Lamp Mode	Press the ◀▶ buttons to adjust lamp brightness.
Reset Lamp Timer	Press the ENTER button to reset the Lamp Hour after the lamp is replaced.
Lamp Hour	Displays the number of hours the lamp has been in use.

HDMI

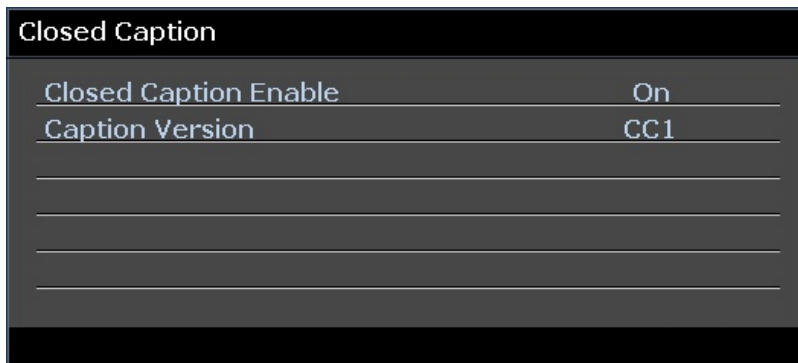
Press the **ENTER** button to enter the **HDMI** sub menu.



ITEM	DESCRIPTION
HDMI Format	Press the ◀▶ buttons to select from three HDMI display formats: Auto/ PC signal/ Video signal.
HDMI Amplifier Gain	Press the ◀▶ buttons to adjust HDMI Amplifier Gain.

Closed Caption

Press the **ENTER** button to enter the **Closed Caption** sub menu.



ITEM	DESCRIPTION
Closed Caption Enable	Press the ◀▶ buttons to turn on or off Closed Caption.
Caption Version	Press the ◀▶ buttons to select the Caption Version.

Presentation Timer

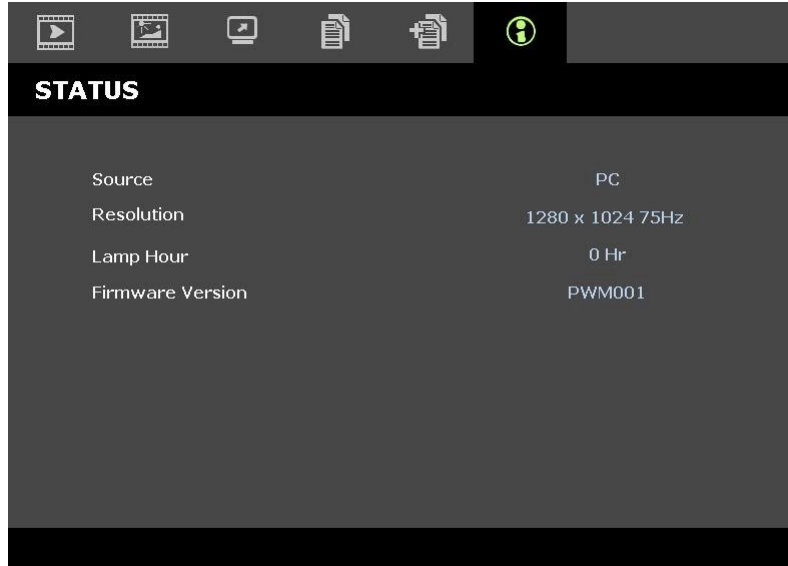
The Presentation Timer function can indicate the presentation time on the screen to help you achieve better time management when giving presentations.



ITEM	DESCRIPTION
Timer	Press the cursor ◀▶ button to enable or disable presentation timer.
Timer Period	Press the cursor ◀▶ button to select timer period (1 ~ 60 minutes)
Timer Reset	Press ⏪(Enter) / ▶ to reset the timer settings.

STATUS Menu

Press the **MENU** button to open the **OSD** menu. Press the cursor ◀▶ button to move to the **STATUS** Menu.



ITEM	DESCRIPTION
Source	Displays the activated input source.
Resolution	Displays the native resolution of input source.
Lamp Hour	Displays the number of hours the lamp has been in use.
Firmware Version	Displays the firmware version of the projector.

Note:
Status displayed in this menu is for viewing only and cannot be edited.

MAINTENANCE AND SECURITY

Replacing the Projection Lamp

The projection lamp should be replaced when it burns out. It should only be replaced with a certified replacement part, which you can order from your local dealer.

Important:

- a. The projection lamp used in this product contains a small amount of mercury.
- b. Do not dispose this product with general household waste.
- c. Disposal of this product must be carried out in accordance with the regulations of your local authority.

Warning:

Be sure to turn off and unplug the projector at least 30 minutes before replacing the lamp. Failure to do so could result in a severe burn.

Caution:

In rare cases the lamp bulb may burn out during normal operation and cause glass dust or shards to be discharged outward from the rear exhaust vent.

Do not inhale or do not touch glass dust or shards. Doing so could result in injury.

Always keep your face away from the exhaust vent so that you do not suffer from the gas and broken shards of the lamp.

When removing the lamp from a ceiling-mounted projector, make sure that no one is under the projector. Glass fragments could fall if the lamp has been burned out.



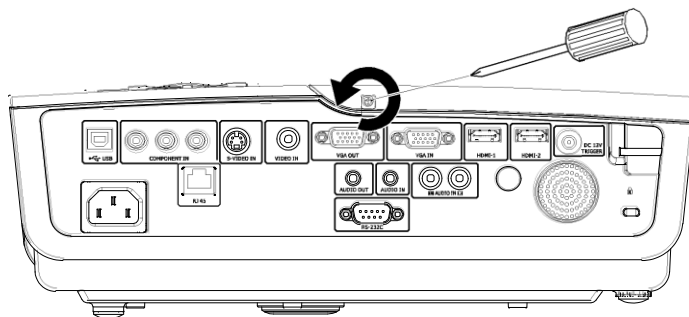
IF A LAMP EXPLODES

If a lamp explodes, the gas and broken shards may scatter inside the projector and they may come out of the exhaust vent. The gas contains toxic mercury.

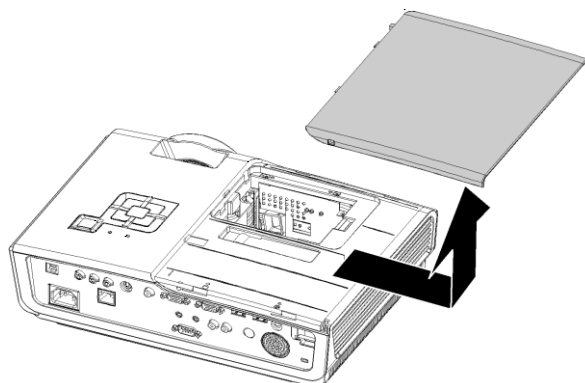
Open windows and doors for ventilation.

If you inhale the gas or the shards of the broken lamp enter your eyes or mouth, consult the doctor immediately.

1. Remove the single screw on the lamp compartment cover.

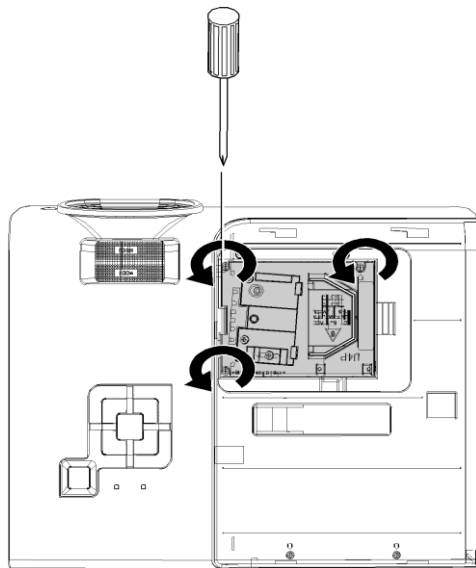


2. Remove the lamp compartment cover.

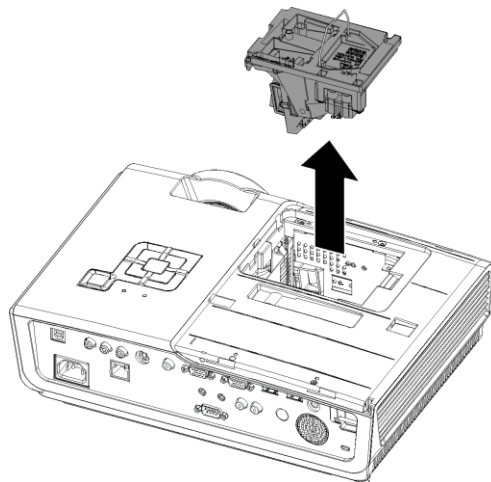


3. Remove the three screws from the lamp module.

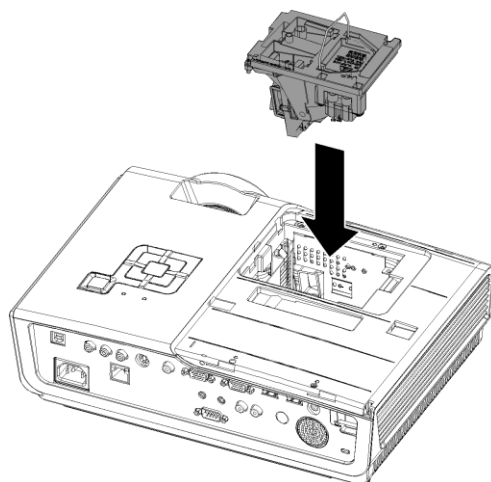
4. Lift the module handle up.



5. Pull firmly on the module handle to remove the lamp module.



6. Reverse steps 1 to 5 to install the new lamp module. While installing, align the lamp module with the connector and ensure it is level to avoid damage.



Note: The lamp module must sit securely in place and the lamp connector must be connected properly before tightening the screws.

Cleaning the Projector

Cleaning the projector to remove dust and grime will help ensure trouble-free operation.

Warning:

- 1. Be sure to turn off and unplug the projector at least 30 minutes before cleaning. Failure to do so could result in a severe burn.*
- 2. Use only a dampened cloth when cleaning. Do not allow water to enter the ventilation openings on the projector.*
- 3. If a little water gets into the projector interior while cleaning, leave unplugged in a well-ventilated room for several hours before using.*
- 4. If a lot of water gets into the projector interior when cleaning, have the projector serviced.*

Cleaning the Lens

You can purchase optic lens cleaner from most camera stores. Refer to the following to clean the projector lens.

1. Apply a little optic lens cleaner to a clean soft cloth. (Do not apply the cleaner directly to the lens.)
2. Lightly wipe the lens in a circular motion.

Caution:

- 1. Do not use abrasive cleaners or solvents.*
- 2. To prevent discoloration or fading, avoid getting cleaner on the projector case.*

Cleaning the Case

Refer to the following to clean the projector case.

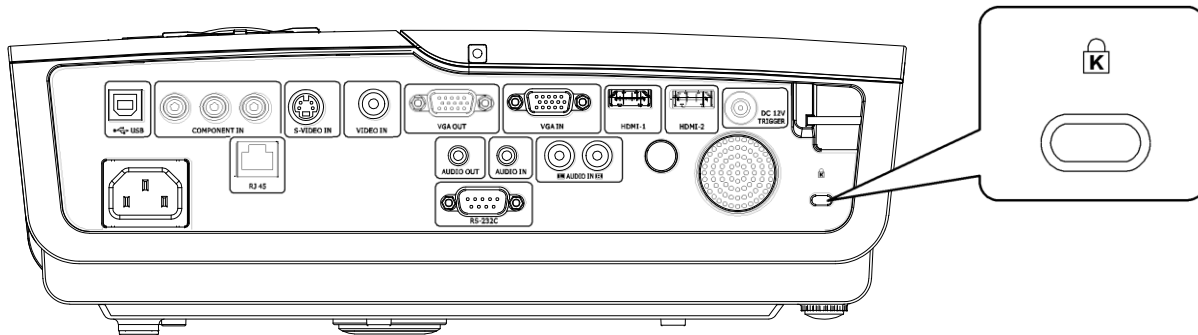
1. Wipe off dust with a clean dampened cloth.
2. Moisten the cloth with warm water and mild detergent (such as used to wash dishes), and then wipe the case.
3. Rinse all detergent from the cloth and wipe the projector again.

Caution:

To prevent discoloration or fading of the case, do not use abrasive alcohol-based cleaners.

Using the Kensington® Lock

If you are concerned about security, attach the projector to a permanent object with the Kensington slot and a security cable.



Note:

Contact your vendor for details on purchasing a suitable Kensington security cable.

The security lock corresponds to Kensington's MicroSaver Security System. If you have any comment, contact: Kensington, 2853 Campus Drive, San Mateo, CA 94403, U.S.A. Tel: 800-535-4242, <http://www.Kensington.com>.

TROUBLESHOOTING

G

Common problems and solutions

These guidelines provide tips to deal with problems you may encounter while using the projector. If the problem remains unsolved, contact your dealer for assistance.

Often after time spent troubleshooting, the problem is traced to something as simple as a loose connection. Check the following before proceeding to the problem-specific solutions.

- *Use some other electrical device to confirm that the electrical outlet is working.*
- *Ensure the projector is turned on.*
- *Ensure all connections are securely attached.*
- *Ensure the attached device is turned on.*
- *Ensure a connected PC is not in suspending mode.*
- *Ensure a connected notebook computer is configured for an external display. (This is usually done by pressing a Fn-key combination on the notebook).*

Tips for Troubleshooting

In each problem-specific section, try the steps in the order suggested. This may help you to solve the problem more quickly.

Try to pin point the problem and thus avoid replacing non-defective parts. For example, if you replace batteries and the problem remains, put the original batteries back and go to the next step.

Keep a record of the steps you take when troubleshooting: The information may be useful when calling for technical support or for passing on to service personnel.

LED Error Messages

ERROR CODE MESSAGES	POWER LED BLINK	READY LED BLINK	TEMP LED BLINK
Lamp Ready	ON	ON	OFF
Start	ON	OFF	OFF
Cooling	ON	FLASHING	OFF
Over temperature	OFF	OFF	ON
Thermal Break Sensor error	4	4	OFF
Lamp error	5	OFF	OFF
Lamp End of lamp life detected	5	3	OFF
Burner Fan error	6	1	OFF
Lamp Fan error	6	2	OFF
Power Fan error	6	3	OFF
DMD Fan error	6	4	OFF
Case Open	7	OFF	OFF
DMD error	8	OFF	OFF
Color wheel error	9	OFF	OFF

In the event of an error, please disconnect the AC power cord and wait for one (1) minute before re-starting the projector. If the POWER or LAMP LEDs are still blinking or the TEMP LED is lit, or any other situation that isn't listed in the chart above, contact your service center.

Image Problems

Problem: No image appears on the screen

1. Verify the settings on your notebook or desktop PC.
2. Turn off all equipment and power up again in the correct order.

Problem: The image is blurred

1. Adjust the **Focus** on the projector.
2. Press the **Auto** button on the remote control or projector.
3. Ensure the projector-to-screen distance is within the 10-meter (33-foot) specified range.
4. Check that the projector lens is clean.

Problem: The image is wider at the top or bottom (trapezoid effect)

1. Position the projector so it is as perpendicular to the screen as possible.
2. Use the **Keystone** button on the remote control or projector to correct the problem.

Problem: The image is reversed

Check the **Projection** setting on the **Installation I** menu of the OSD.

Problem: The image is streaked

1. Set the **Frequency** and **Tracking** settings on the **Computer** menu of the OSD to the default settings.
2. To ensure the problem is not caused by a connected PC's video card, connect to another computer.

Problem: The image is flat with no contrast

Adjust the **Contrast** setting on the **Image** menu of the OSD.

Problem: The color of the projected image does not match the source image.

Adjust the **Color Temperature** and **Gamma** settings on the **Image** menu of the OSD.

Lamp Problems

Problem: There is no light from the projector

1. Check that the power cable is securely connected.
2. Ensure the power source is good by testing with another electrical device.
3. Restart the projector in the correct order and check that the Power LED is green.
4. If you have replaced the lamp recently, try resetting the lamp connections.
5. Replace the lamp module.
6. Put the old lamp back in the projector and have the projector serviced.

Problem: The lamp goes off

1. Power surges can cause the lamp to turn off. Re-plug power cord. When the READY LED is on, press the power button.
2. Replace the lamp module.
3. Put the old lamp back in the projector and have the projector serviced.

Remote Control Problems

Problem: The projector does not respond to the remote control

1. Direct the remote control towards remote sensor on the projector.
2. Ensure the path between remote and sensor is not obstructed.
3. Turn off any fluorescent lights in the room.
4. Check the battery polarity.
5. Replace the batteries.
6. Turn off other Infrared-enabled devices in the vicinity.
7. Have the remote control serviced.

Audio Problems

Problem: There is no sound

1. Adjust the volume on the remote control.
2. Adjust the volume of the audio source.
3. Check the audio cable connection.
4. Test the source audio output with other speakers.
5. Have the projector serviced.

Problem: The sound is distorted

1. Check the audio cable connection.
2. Test the source audio output with other speakers.
3. Have the projector serviced.

Having the Projector Serviced

If you are unable to solve the problem, you should have the projector serviced. Pack the projector in the original carton. Include a description of the problem and a checklist of the steps you took when trying to fix the problem: The information may be useful to service personnel. For servicing, return the projector to the place you purchased it.

HDMI Q & A

Q. What is the difference between a “Standard” HDMI cable and a “High-Speed” HDMI cable?

Recently, HDMI Licensing, LLC announced that cables would be tested as Standard or High-Speed cables.

- Standard (or “category 1”) HDMI cables have been tested to perform at speeds of 75Mhz or up to 2.25Gbps, which is the equivalent of a 720p/1080i signal.
- High Speed (or “category 2”) HDMI cables have been tested to perform at speeds of 340Mhz or up to 10.2Gbps, which is the highest bandwidth currently available over an HDMI cable and can successfully handle 1080p signals including those at increased color depths and/or increased refresh rates from the Source. High-Speed cables are also able to accommodate higher resolution displays, such as WQXGA cinema monitors (resolution of 2560 x 1600).

Q. How do I run HDMI cables longer than 10 meters?

To extend a cable’s effective distance from the typical 10 meter range a Knoll balun system may be required. See your dealer for more information. Some baluns can extend the signal up to 200 meters.

Q. How can I tell if a cable is an HDMI certified cable?

All HDMI products are required to be certified by the manufacturer as part of the HDMI Compliance Test Specification. However, there may be instances where cables bearing the HDMI logo are available but have not been properly tested. HDMI Licensing, LLC actively investigates these instances to ensure that the HDMI trademark is properly used in the market. We recommend that consumers buy their cables from a reputable source and a company that is trusted.

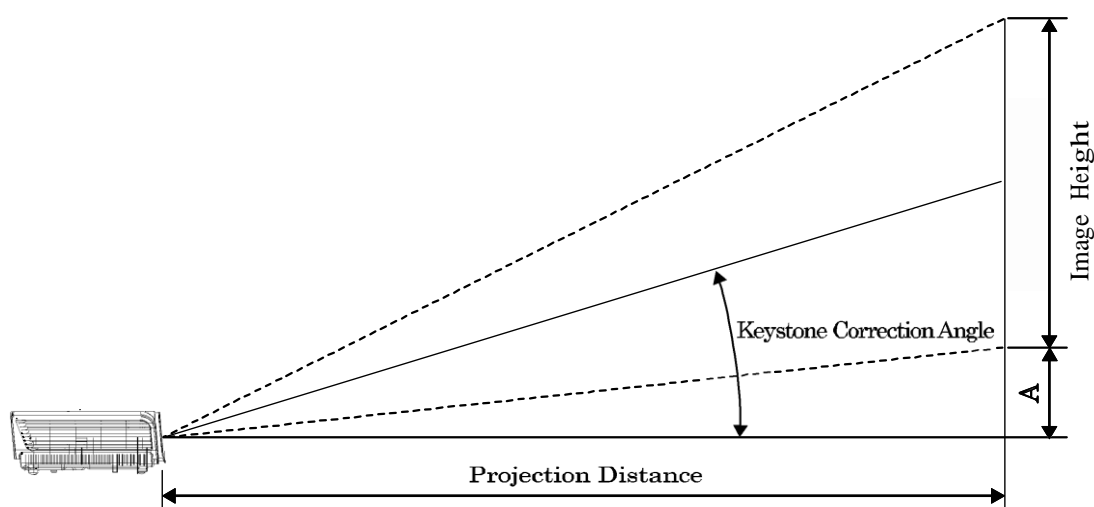
For more detail information check <http://www.hdmi.org/learningcenter/faq.aspx#49>

SPECIFICATIONS

Specifications

Model	HDO2200		
Display type	TI DLP DMD 0.65"		
Native Resolution	1920 x 1080		
Weight	3.4 kg (7.5 lbs)		
Projection distance	1 meters ~ 10 meters		
Projection screen size	23.5" ~ 282.3"		
Projection lens	Manual Focus/Manual Zoom		
Zoom ratio	1.2		
Vertical keystone correction	+/- 30 steps	+/- 40 steps	
Auto Keystone	Yes		
Projection methods	Front, Rear, Desktop/Ceiling (Rear, Front)		
Data compatibility	VGA, SVGA, XGA, SXGA, UXGA, Mac		
SDTV/ EDTV/ HDTV	480i, 480p, 576i, 576p, 720p, 1080i, 1080p		
Video compatibility	NTSC 4.43, PAL (M/N/60), SECAM		
H-Sync	15K, 31 – 91.1 KHz		
V-Sync	43 – 85 Hz		
Safety certification	FCC-B, UL, cUL, CB, CE, CCC, KC, PCT, and C-tick		
Operation temperature	5° ~ 35°C		
Dimensions (W x D x H)	332.8 mm x 254.6 mm x 113 mm (13.1" x 10.0" x 4.45")		
AC Input	AC Universal 100-240, Typical @ 110VAC (100-240)/± 10%		
Power consumption	STD: 290W(Typical)/ 310W(Max) ECO: 240W(Typical)/ 260W(Max)	STD: 350W(Typical)/ 370W(Max) ECO: 290W(Typical)/ 310W(Max)	STD: 350W(Typical)/ 380W(Max) ECO: 290W(Typical)/ 320W(Max)
Stand By	<1 watt		
Lamp	220W	280W	300W
Audio speaker	AMP 5W speaker		
Input Terminals	Digital: HDMI x 2		
	Analog: RGB HD-15 x 1		
	Composite: RCA x 1 (Yellow)		
	S-Video: mini dim x 1		
	Component: RCA x 3		
	Audio in: ϕ 3.5 mm stereo mini jack x 1; RCA x 2 R/L		
Output Terminals	Analog: RGB HD-15 x 1		
	Mini-jack stereo x 1		
	DC_out (screen trigger): DC Jack x 1 (DC12V 200mA output function)		
Control Terminals	RS-232: DSUB-9 x 1		
	Keyboard Emulation Control: USB connector type B		
	RJ45		
Security	Kensington lock		

Projection Distance vs. Projection Size



Projection Distance and Size Table

HJDO2200 (16 X 9 SCREEN)					
IMAGE DIAGONAL (INCH)	IMAGE WIDTH (INCH)	IMAGE HEIGHT (INCH)	PROJECTION DISTANCE (MM) FROM	PROJECTION DISTANCE (MM) TO	OFFSET-A (MM)
40	34.9	19.6	1408.0	1682.5	74.7
60	52.3	29.4	2112.0	2523.7	112.1
70	61	34.3	2464.0	2944.4	130.8
72	62.8	35.3	2534.4	3028.5	134.5
80	69.7	39.2	2816.0	3365.0	149.4
84	73.2	41.2	2956.8	3533.2	156.9
90	78.4	44.1	3168.0	3785.6	168.1
96	83.7	47.1	3379.1	4038.0	179.3
100	87.2	49.0	3519.9	4206.2	186.8
120	104.6	58.8	4223.9	5047.5	224.1
135	117.7	66.2	4751.9	5678.4	252.2
150	130.7	73.5	5279.9	6309.3	280.2
200	174.3	98.1	7039.9	8412.4	373.6
300	261.5	147.1	10559.8	12618.7	560.4

Timing Mode Table

The projector can display several resolutions. The following table outlines the resolutions that can be displayed by the projector.

SIGNAL	RESOLUTION	H-SYNC (KHz)	V-SYNC (Hz)	COMPOSITE / S-VIDEO	COMPONENT	RGB (ANALOG)	HDMI™ (DIGITAL)
NTSC	—	15.734	60.0	O	—	—	—
PAL/SECAM	—	15.625	50.0	O	—	—	—
VESA	720 x 400	37.9	85.0	—	—	O	O
	640 x 480	31.5	60.0	—	—	O	O
	640 x 480	37.9	72.8	—	—	O	O
	640 x 480	37.5	75.0	—	—	O	O
	640 x 480	43.3	85.0	—	—	O	O
	800 x 600	35.2	56.3	—	—	O	O
	800 x 600	37.9	60.3	—	—	O	O
	800 x 600	46.9	75.0	—	—	O	O
	800 x 600	48.1	72.2	—	—	O	O
	800 x 600	53.7	85.1	—	—	O	O
	1024 x 768	48.4	60.0	—	—	O	O
	1024 x 768	56.5	70.1	—	—	O	O
	1024 x 768	60.0	75.0	—	—	O	O
	1024 x 768	68.7	85.0	—	—	O	O
	1280 x 800	49.7	59.8	—	—	O	O
	1280 x 800	62.8	74.9	—	—	O	O
	1280 x 800	71.6	84.8	—	—	O	O
	1280 x 1024	64.0	60.0	—	—	O	O
	1280 x 1024	80.0	75.0	—	—	O	O
	1280 x 1024	91.1	85.0	—	—	O	O
	1400 x 1050	65.3	60.0	—	—	O	O
1440 x 900	55.9	60.0	—	—	O	O	
1600 x 1200	75.0	60	—	—	O	O	
1920 x 1080	67.2	60	—	—	O	O	
Apple Macintosh	640 x 480	35.0	66.7	—	—	O	O
	832 x 624	49.7	74.5	—	—	O	O
	1024 x 768	60.2	74.9	—	—	O	O
	1152 x 870	68.7	75.1	—	—	O	O
SDTV	480i	15.734	60.0	—	O	—	O
	576i	15.625	50.0	—	O	—	O
EDTV	576p	31.3	50.0	—	O	—	O
	480p	31.5	60.0	—	O	—	O

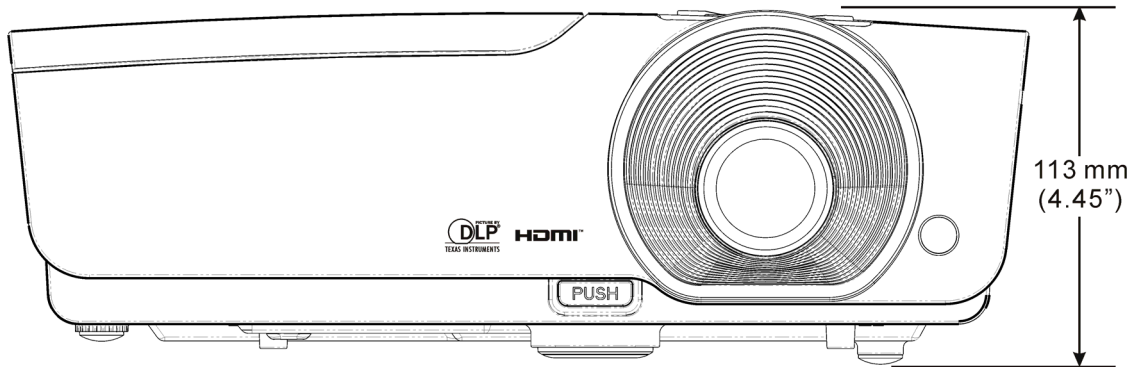
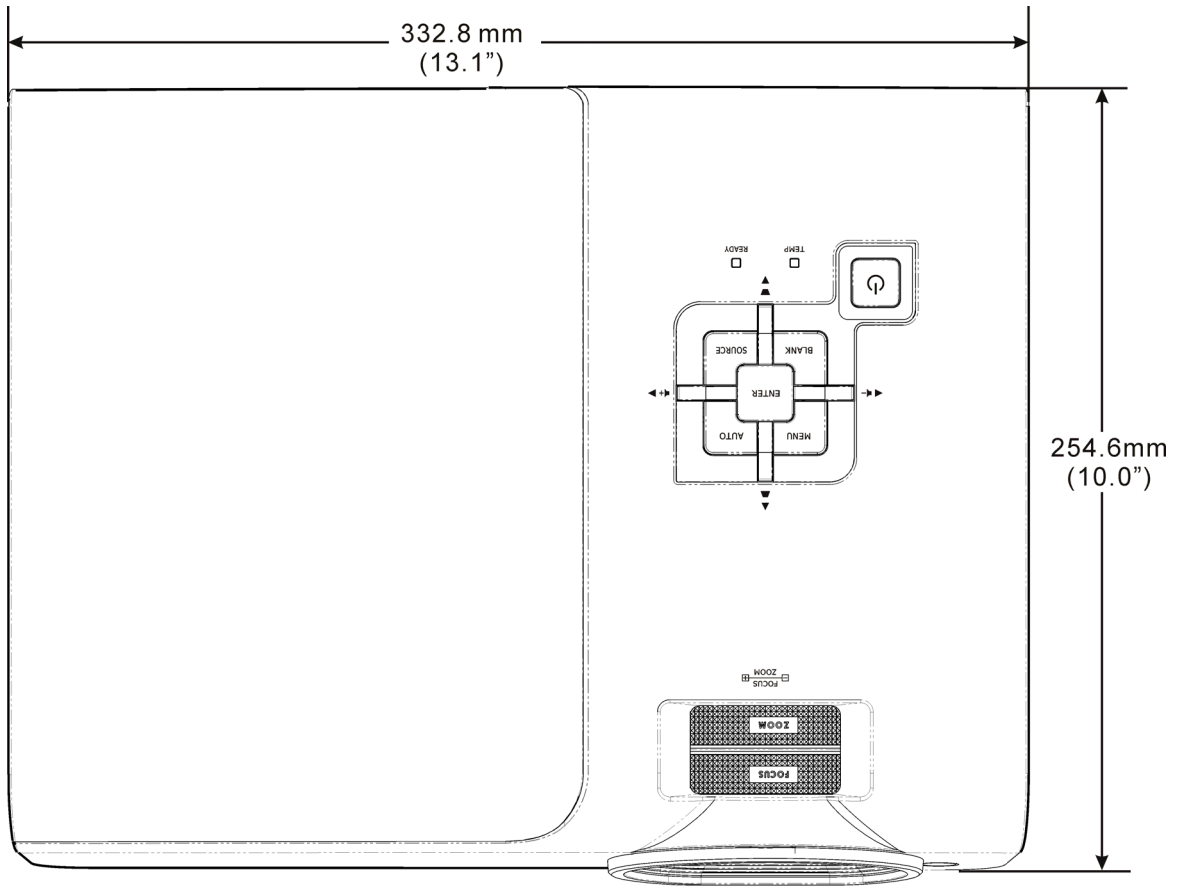
SIGNAL	RESOLUTION	H-SYNC (KHz)	V-SYNC (Hz)	COMPOSITE / S-VIDEO	COMPONENT	RGB (ANALOG)	HDMI™ (DIGITAL)
HDTV	720p	37.5	50.0	—	O	—	O
	720p	45.0	60.0	—	O	—	O
	1080i	33.8	60.0	—	O	—	O
	1080i	28.1	50.0	—	O	—	O
	1080p	67.5	60.0	—	O	—	O
	1080p	56.3	50.0	—	O	—	O

O: Frequency supported

—: Frequency not supported

The native resolution of the panel is 1920 x 1080 Resolution other than native resolution may display with uneven size of text or lines.

Projector Dimensions



REGULATORY COMPLIANCE

FCC Warning

This equipment has been tested and found to comply with the limits for a Class B digital device pursuant to Part 15 of the FCC Rules. These limits are designed to provide reasonable protection against harmful interference when the equipment is operated in a commercial environment.

This equipment generates, uses, and can radiate radio frequency energy and, if not installed and used in accordance with the instruction manual, may cause harmful interference to radio communications. Operation of this equipment in a residential area is likely to cause harmful interference in which case the user will be required to correct the interference at his/her own expense.

Changes or modifications not expressly approved by the parties responsible for compliance could void the user’s authority to operate the equipment.

Canada

This class B digital apparatus complies with Canadian ICES-003.

Safety Certifications

FCC-B, UL, cUL, CB, CE, CCC, KC, PCT, and C-tick

